

# Product Details

## **Table of Contents**

Product Summary	2
20/45/60 Min Fire-Rated Fixed Openings For Windows & Walls	4
20/45/60 Min Fire-Rated Full Vision Doors	12
90 Min Fire-Rated Full Vision Doors	24
60 Min Fire-Rated Curtain Wall	35
120 Min Fire-Rated Curtain Wall	42

**FIRE - RATED ALUMINUM ARCHITECTURAL PRODUCTS**

**Fixed Window**

UL Rating	Alufam Designation	Max Frame Size (in.)	Max Lite Area (sq.in.)	Max Lite Width / Height (in.)	Frame Width (in.)	Frame Depth (in.)	Frame Weight (lbs/ft)	Glass	Glass Thickness (in.)	Glass Weight (lbs/sq.ft.)
20 min	FW-EI20	120 x 120	3,325	95	2-1/2	3-3/8	4	Pyroswiss US	1/4*	3.2
45 min	FW-EI45	120 x 120	3,325	95	2-1/2	3-3/8	4	Contraflam 45	3/4*	7.6
60 min	FW-EI60	120 x 120	4,456	95	2-1/2	3-3/8	4	Contraflam 60	1*	10.6

**Notes - Windows**

- Any window greater than 10'0 in height or width requires a 60 min rating
- When used as sidelites or transoms, windows require a minimum rating of 45 min to meet Hose stream test requirements
- 20 min glass does NOT meet Hose stream
- No operable window products currently available. i.e. sliders, casement, awning, single or double hung
- \*Thicknesses shown are for interior applications; add (+ 3/4") up to 45 min and (+1/2") on 60 min, for exterior applications w/ insulated glass units

**Vision Wall**

UL Rating	Alufam Designation	Max Frame Size (in.)	Max Lite Area (sq.in.)	Max Lite Width / Height (in.)	Frame width (in.)	Frame Depth (in.)	Frame Weight (lbs/ft)	Glass	Glass Thickness (in.)	Glass Weight (lbs/sq.ft.)
60 min	VW-EI60	contact factory	4,456	95	2-1/2	3-3/8	4	Contraflam 60	1*	10.6
<b>BUTT JOINT GLAZING OPTION - INTERIOR APPLICATIONS ONLY</b>										
60 min	VW-EI60	contact factory	7,574	138-1/2	2-1/2	3-3/8	4	Contraflam Structure	1-1/4	14

**Notes - Vision Walls**

- Frames to fill openings greater than 8'0 ft in width will be broken down into smaller, separate frames, double mullled at the verticals, to facilitate manufacturing and shipping.
- Option for segmented joint with butt-glazed system up to total off angle of 161 Deg.
- \*Thickness shown is for interior applications; add (+1/2") for exterior applications w/ insulated glass units

**Curtain Wall**

UL Rating	Alufam Designation	Max Frame Size (in.)	Max Lite Area (sq.in.)	Max Lite Width / Height (in.)	Frame width (in.)	Frame Depth (in.)	Frame Weight (lbs/ft)	Glass	Glass Thickness (in.)	Glass Weight (lbs/sq.ft.)
60 min	CW-EI60	contact factory	4,996	94-1/2	2	5-1/4*	5	Contraflam 60	1	10.6
60 min	CW2-EI60	contact factory	4,996	94-1/2	2	7-1/2*	5	Contraflam 60	1	10.6
<b>BUTT JOINT GLAZING OPTION - INTERIOR APPLICATIONS ONLY</b>										
60 min	CW-EI60	contact factory	7,574	138-1/2	2	5-1/4*	5	Contraflam Structure	1-1/4	14
60 min	CW2-EI60	contact factory	7,574	138-1/2	2	7-1/2*	5	Contraflam Structure	1-1/4	14
<b>BUTT JOINT GLAZING OPTION - INTERIOR APPLICATIONS ONLY</b>										
120 min	CW-EI120	contact factory	4,420	94-7/16	2-3/8	6-1/4*	7.5	Contraflam 120	1-1/2	19
<b>BUTT JOINT GLAZING OPTION - INTERIOR APPLICATIONS ONLY</b>										
120 min	CW-EI120	contact factory	4,536	126	2-3/8	6-3/4	7.5	Contraflam Structure 120	2-1/16	22-1/2

**Notes - Curtainwall**

- Products generally delivered factory assembled, finished, and ready for simple installation, however can also be supplied fully prepped & KD for field assembly & installation if project requires
- Special Fire-rated aluminum composite panel option available to replace glazing in lites with 2 hour system. (i.e. - end of slab condition)
- \*Depths shown are for interior applications; add (+ 1/2") for 60 min and (+3/4") on 120 min, for exterior applications w/ insulated glass units

### Frame Finishes

Standard Anodize	Standard/Custom Epoxy Powdercoat	Standard/Custom Architectural Painted Finishes
Clear - stock finish, no additional charge	Full RAL Color Standard Options Available	Full range Kynar/Duramar Paints
Dark Bronze		Custom Matches Available to codes from Valspar, Dunn Edwards, Linetec, Efco, Benjamin Moore, etc.
Champagne, Light & Medium Bronze		
Black		

### Notes - General

- Storefront & Door Products delivered factory assembled, finished, and ready for simple installation
- Data based on products for interior installation. Exterior configurations also available.
- Insulated glass units available. Outboard lites with sandblasted logos, obscure glass, frit patterns, tints, low-E, etc.

### Full Vision Single Door + Frame

UL Rating	Aluflam Designation	Max Door Opening Size (in.)	Max Frame Size (in.)	Frame + Stile Width (in.)	Bottom Rail Width (in.)	Frame Depth (in.)	Glass	Glass Thickness (in.)	Glass Weight (lbs/sq.ft.)
20 min	SD	36 x 96	40-7/8 x 98-1/2	5-1/4	3-9/16	3-3/8	Pyroswiss US	1/4*	3.2
45 min	SD	36 x 96	40-7/8 x 98-1/2	5-1/4	3-9/16	3-3/8	Contraflam 45	3/4*	7.6
60 min	SD	36 x 96	40-7/8 x 98-1/2	5-1/4	3-9/16	3-3/8	Contraflam 60	1*	10.6
90 min	SD	42 x 96	46-7/8 x 98-1/2	5-1/4	3-9/16	3-5/8	Contraflam 90	1-3/8*	18

### Full Vision Double Door + Frame

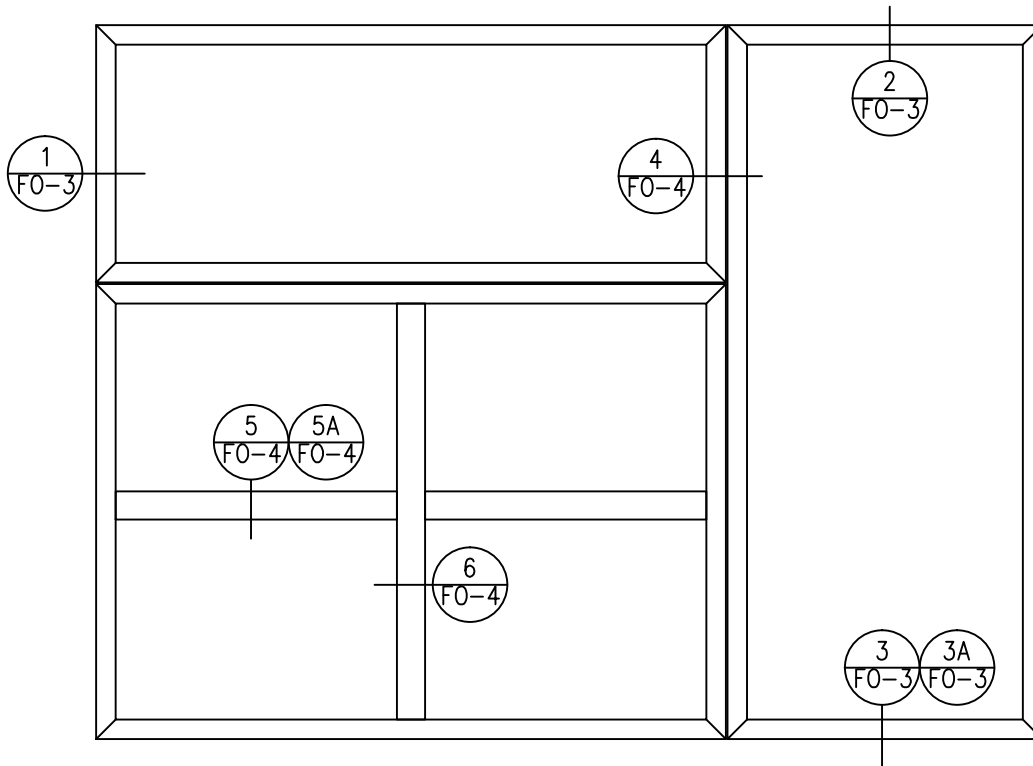
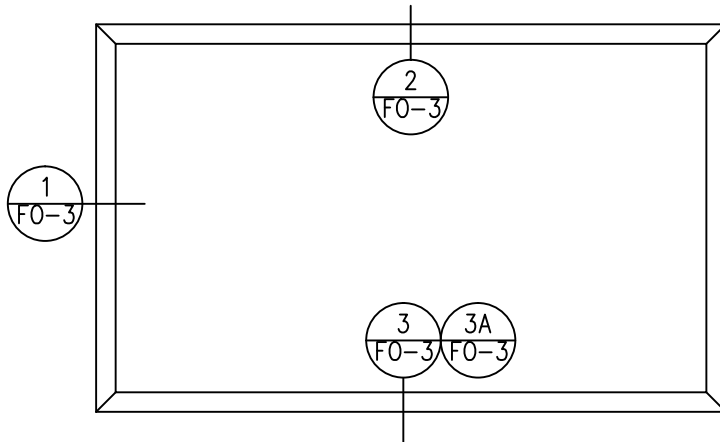
UL Rating	Aluflam Designation	Max Door Opening Size (in.)	Max Frame Size (in.)	Frame + Stile Width (in.)	Bottom Rail Width (in.)	Frame Depth (in.)	Glass	Glass Thickness (in.)	Glass Weight (lbs/sq.ft.)
20 min	DD-AA/ DD- AF	72 x 96	76-7/8 x 98-1/2	5-1/4	3-9/16	3-3/8	Pyroswiss US	1/4*	3.2
45 min	DD-AA/ DD- AF	72 x 96	76-7/8 x 98-1/2	5-1/4	3-9/16	3-3/8	Contraflam 45	3/4*	7.6
60 min	DD-AA/ DD- AF	72 x 96	76-7/8 x 98-1/2	5-1/4	3-9/16	3-3/8	Contraflam 60	1*	10.6
90 min	DD-AA	84 x 96	88-7/8 x 98-1/2	5-1/4	3-9/16	3-5/8	Contraflam 90	1-3/8*	18

### Notes - Doors

- Single doors supplied with std hardware package, including mortise lock (RIM Panic on 90 min doors), offset pivot hinges, lever trim and closer
- DD-AF (Active/Fixed) double doors supplied with std hardware package, incl. mortise lock, offset pivot hinges, lever trim, closer/coordinator, flush bolt
- DD-AF (Active/Fixed) NOT AVAILABLE W/ 90 MIN RATING
- DD-AA (Active/Active) double doors supplied with std hardware package, including offset pivot hinges, lever trim, closers and vertical rod exit devices
- Optional hardware: rim panic device, auto floor seals, matching 10" bottom rail, electric strike, etc.
- \*Thicknesses shown are for interior applications; add (+ 3/4") up to 45 min and (+1/2") on 60 & 90 min, for exterior applications w/ insulated glass units
- Sliding doors, pairs of doors swinging in opposite direction, or doors larger than listed above are not currently available.
- We do not have Door Frames for use with doors "By Others" (wood, steel, panel etc.). Our Full Vision Glass Door/Frame system is a UL Listed assembly and is supplied as a system with glass and hardware.

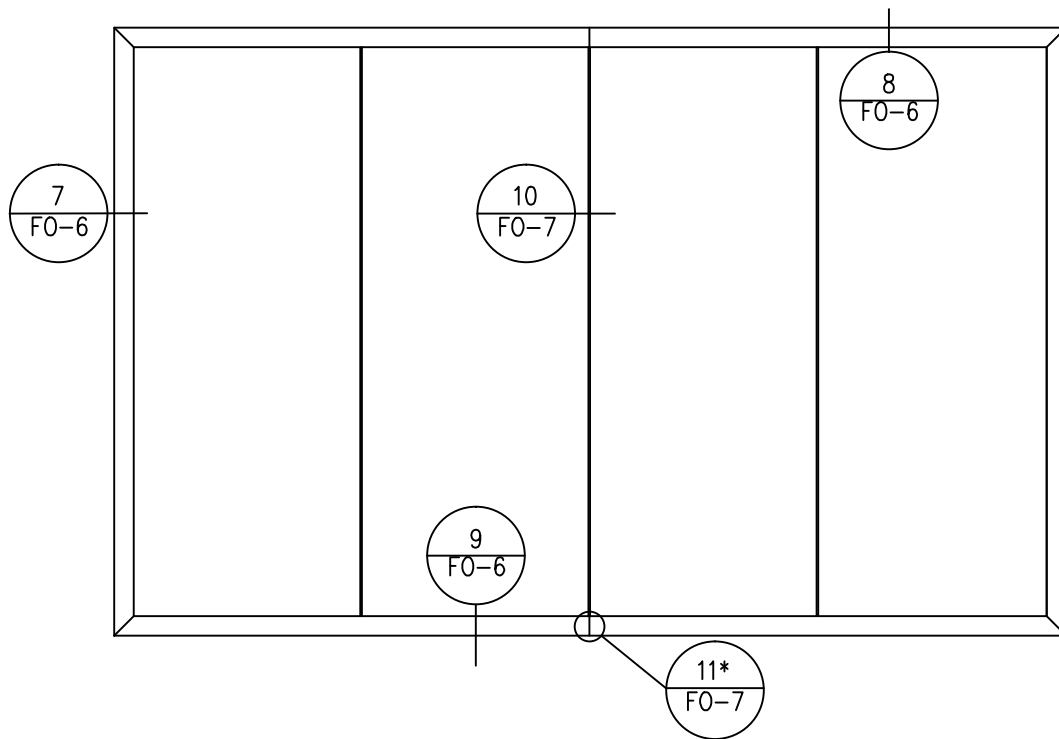
SCALE: NONE

- 2-7/16" Wide x 3-3/8" Deep standard dimensions
- Available in Anodized, Powder Coated and Architectural Painted finishes
- Interior and exterior installation
- Factory finished, assembled, and ready for installation
- Glazing stops to accommodate various glass thicknesses (20/45/60 minute) - see page 5
- Please refer to literature for max. sizes / ratings



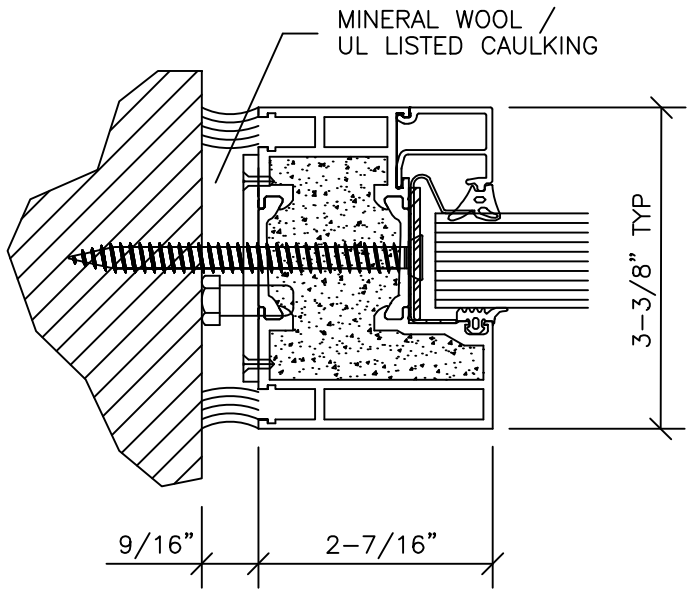
SCALE: NONE

**\*\*EXAMPLE OF OPTIONAL BUTT GLAZED WALL SYSTEM  
(RATED ONLY AT 60 MIN. & FOR INTERIOR APPLICATIONS ONLY)  
USES CONTRAFLAM 60 STRUCTURE**

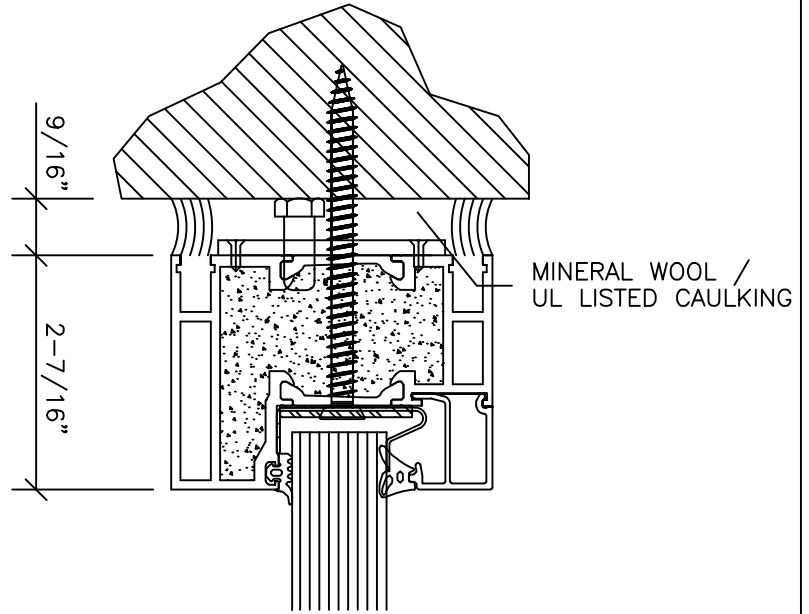


\*(CONNECTION NECESSARY IF OVERALL FRAME LENGTH GREATER THAN 7' [84"])

SCALE: 1/2 FULL SIZE



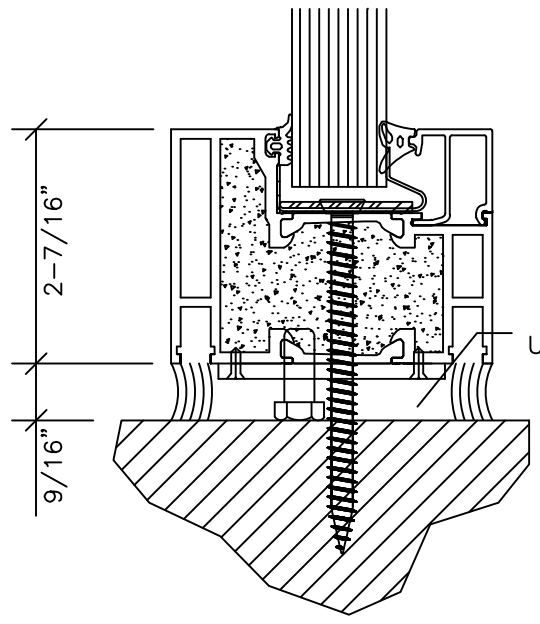
1 VERT. SECTION  
60 MIN. GLASS



2 HEAD SECTION  
60 MIN. GLASS

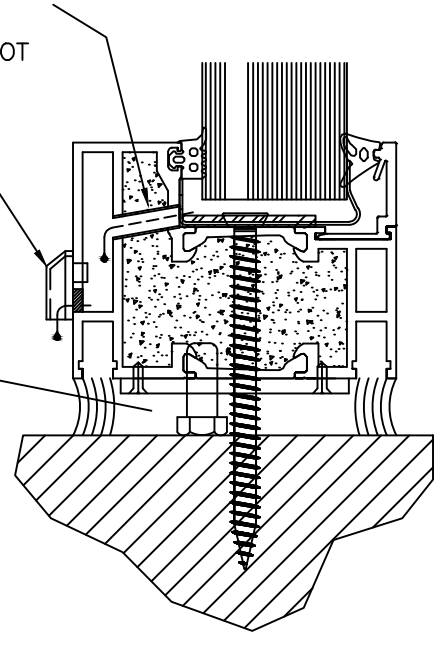
2 SIDE BY SIDE THRU HOLES  
DIAMETER - 11 [7/16]

PVC DRAIN CAP (BLACK)  
SNAPPED INTO 6 x 25 SLOT



3 SILL SECTION  
60 MIN. GLASS

MINERAL WOOL /  
UL LISTED CAULKING



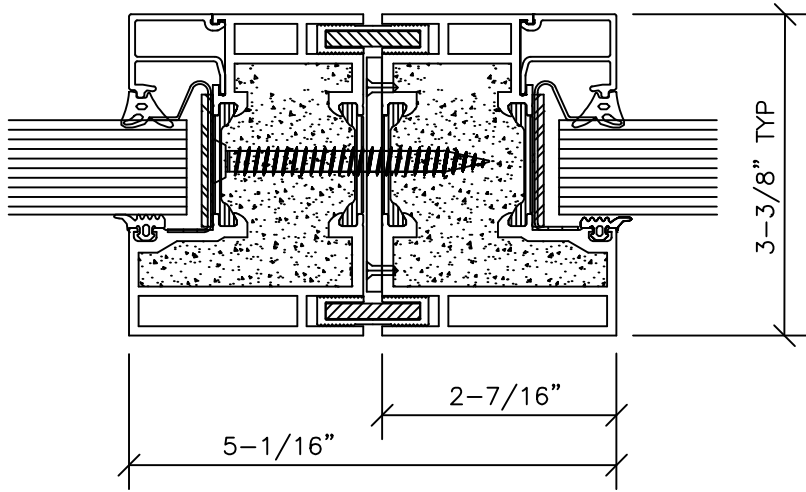
3A SILL SECTION (FOR EXTERIOR INSTALL)  
60 MIN. GLASS

(p) 562.926.9520  
(f) 562.404.1394

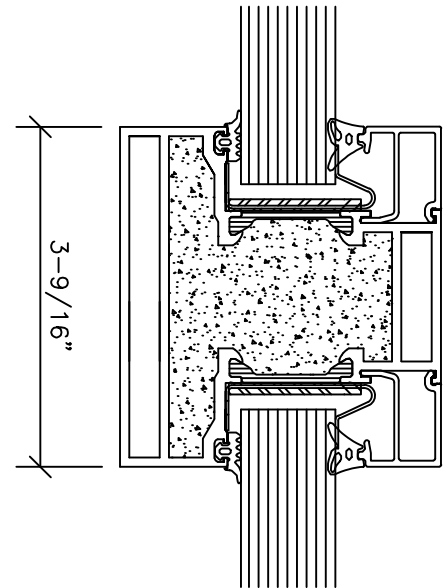
www.aluflam-usa.com



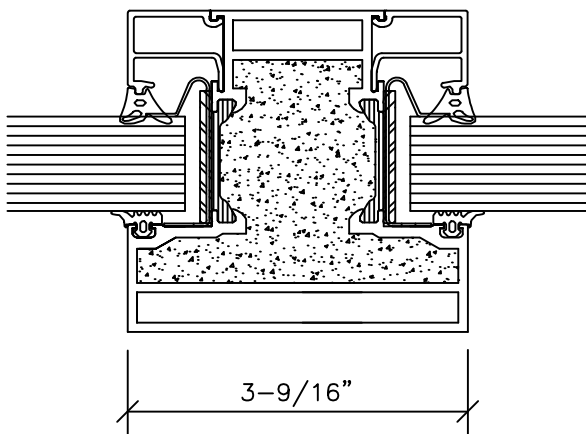
SCALE: 1/2 FULL SIZE



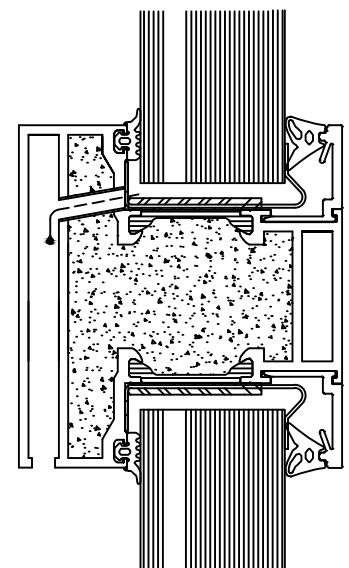
4 SEGMENTED MULLION SECTION  
60 MIN. GLASS



5 HOR. MULLION SECTION  
60 MIN. GLASS



6 VERT. MULLION SECTION  
60 MIN. GLASS



5A HOR. MULLION SECTION (FOR EXTERIOR INSTALL)  
60 MIN. GLASS

SCALE: 1/2 FULL SIZE

GLAZING CONFIGURATIONS

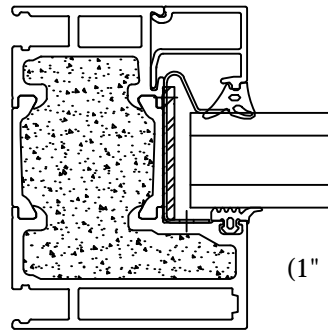
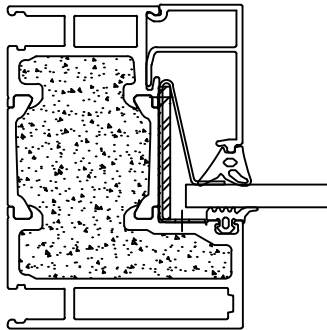
INTERIOR

EXTERIOR

(INSULATED GLASS UNITS)

20 Min. Rating - w Pyroswiss US

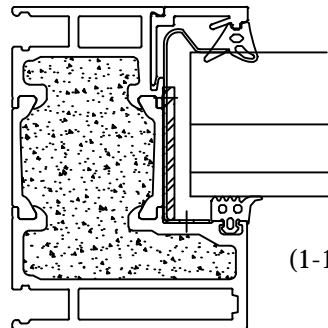
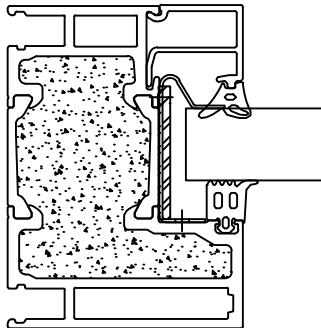
20 Min. Rating - w Pyroswiss US IGU



- 1/4" SGG Pyroswiss US
  - 1/2" Air Space
  - 1/4" Hardcoat Low-E Outboard Lite
- (1" Overall Glass Thickness)

45 Min. Rating - w Contraflam 45

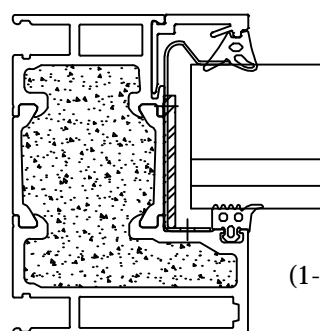
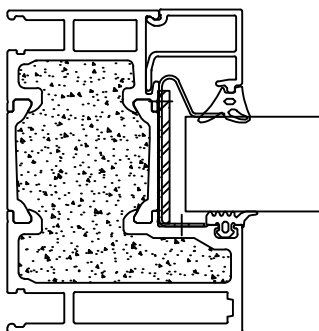
45 Min. Rating - w Contraflam 45 IGU



- 3/4" SGG Contraflam 45
  - 1/2" Air Space
  - 1/4" Hardcoat Low-E Outboard Lite
- (1-1/2" Overall Glass Thickness)

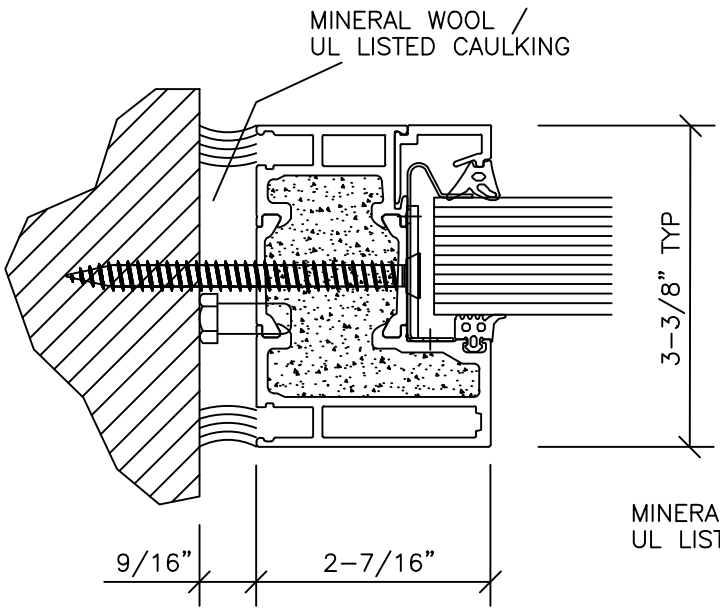
60 Min. Rating - w Contraflam 60

60 Min. Rating - w Contraflam 60 IGU

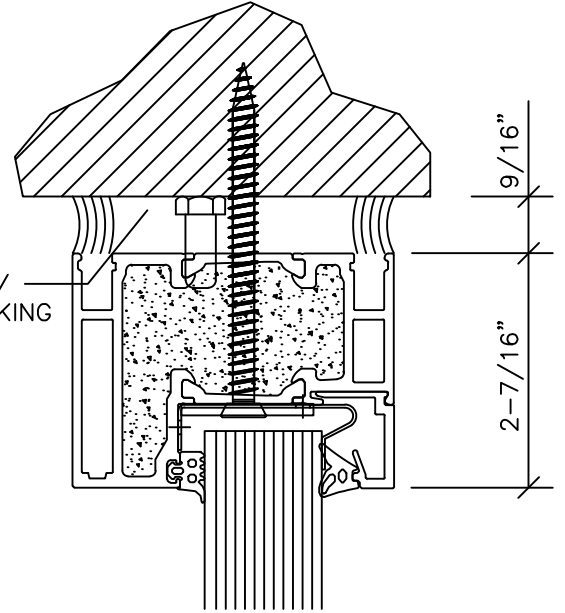


- 1-1/16" SGG Contraflam 60
  - 1/4" Air Space
  - 1/4" Hardcoat Low-E Outboard Lite
- (1-9/16" Overall Glass Thickness)

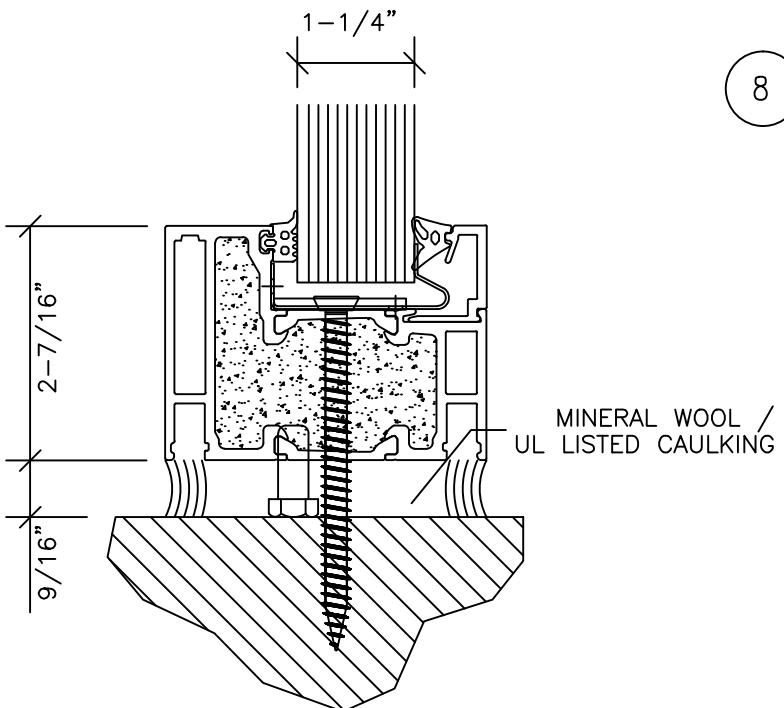
SCALE: 1/2 FULL SIZE



7 VERT. SECTION  
60 MIN. CONTRAFLAM STRUCTURE

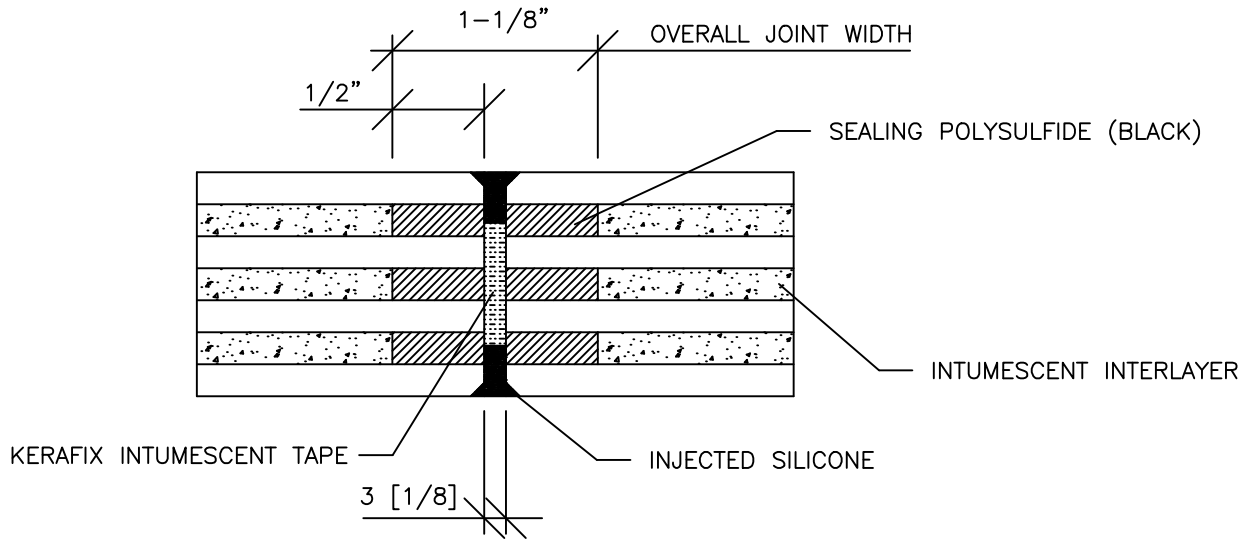


8 HEAD SECTION  
60 MIN. CONTRAFLAM STRUCTURE

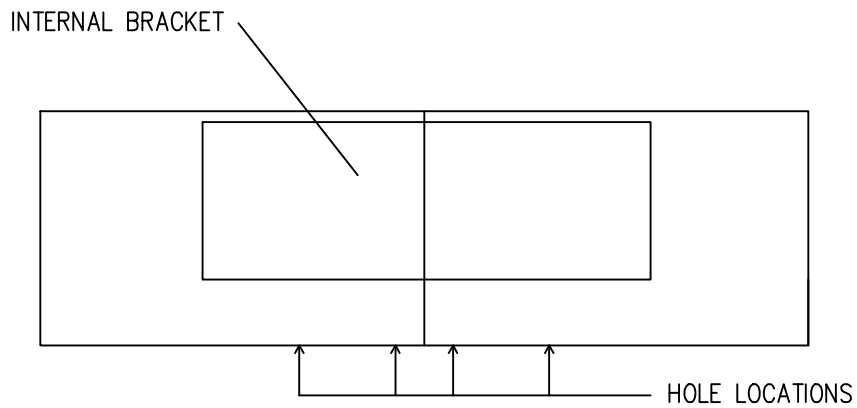


9 SILL SECTION  
60 MIN. CONTRAFLAM STRUCTURE

SCALE: 1/2 FULL SIZE



10 BUTT GLAZED JOINT SECTION  
60 MIN. CONTRAFLAM STRUCTURE

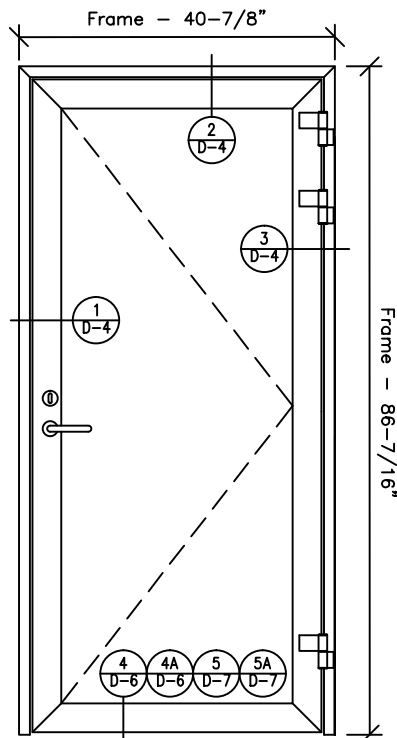


11 STRAIGHT JOINT CONNECTION (\*IF NECESSARY)  
60 MIN. CONTRAFLAM STRUCTURE

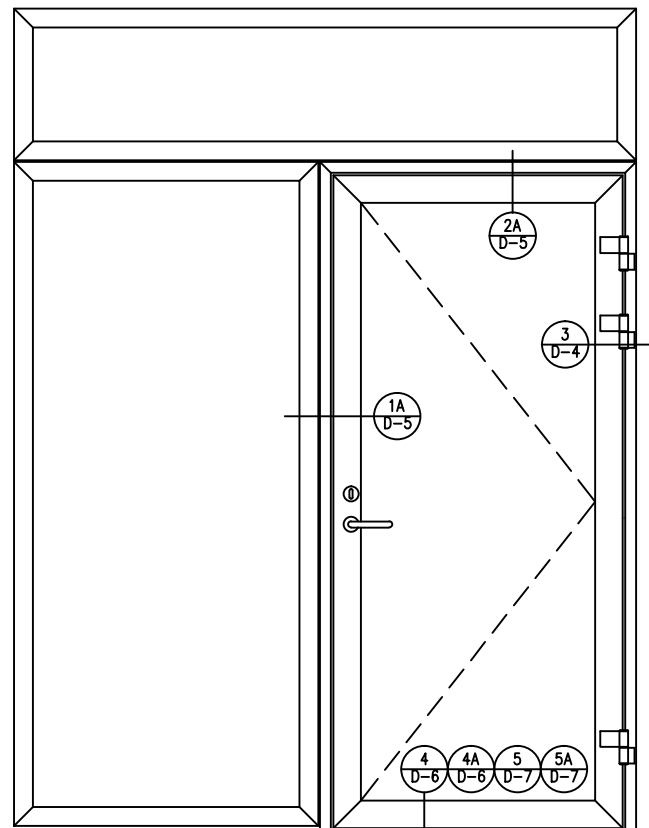
SCALE: NONE

- 3-3/8" standard thickness
  - Maximum door opening:
    - 3'0x8'0 (SD) / 6'0x8'0 (DD)
  - Available in Anodized, Powdercoated and Architectural Painted finishes
  - Interior and exterior installation
  - Factory finished, assembled, and ready for installation
  - Glazing stops to accommodate various glass thickness - (20/45/60 minute) - see pg 12
  - Door frames integrate with Aluflam Storefront & Curtainwall Systems for sidelites/transoms.
- 60 Min & lower rated Heat Barrier Doors are heavy and closers adjusted to meet reduced opening force requirements may not be adequate to close & latch doors reliably. Opening force of closers that are adjusted to close/latch doors reliably could be 15lbs, or more, depending on conditions. If this is a concern, use of an operator or power assist closer should be considered.

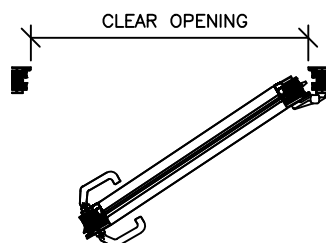
Frame Size for standard 3'0 x 7'0 SD



Single Door (SD)  
(RHR shown)



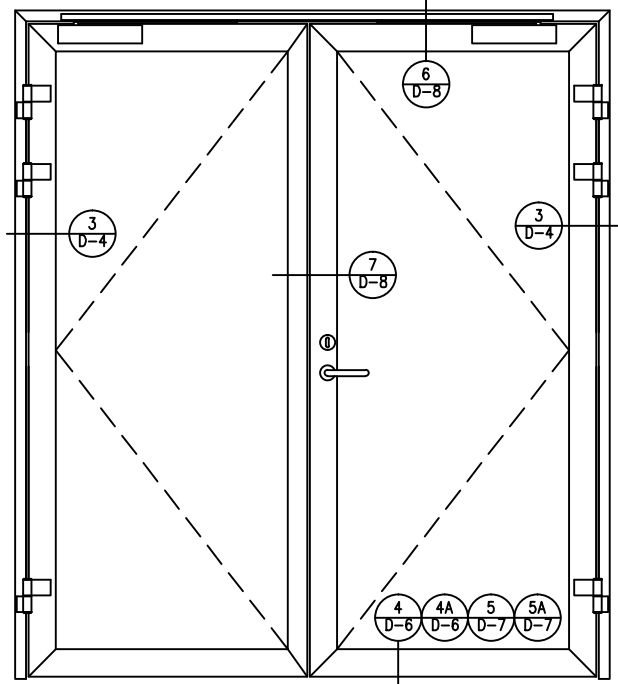
Door Shown w/ transom  
& Sidelite



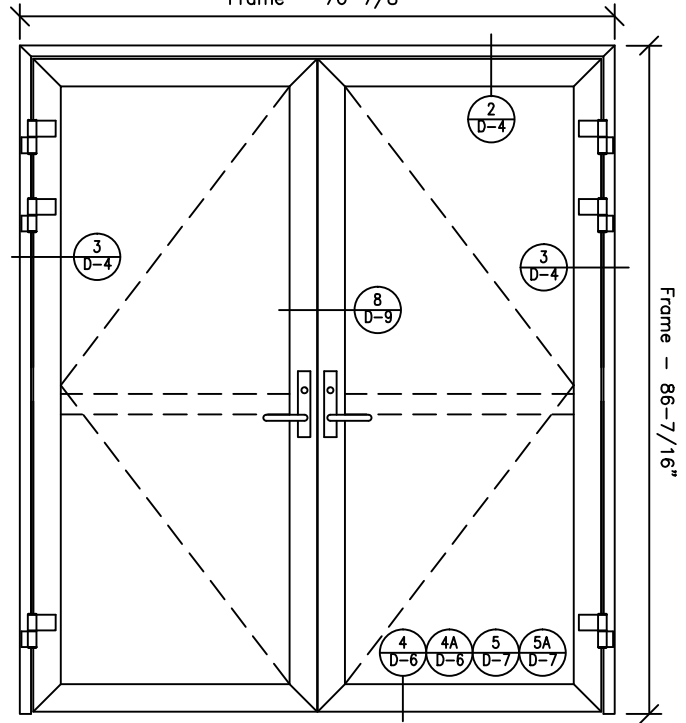
SCALE: NONE

Frame Size for standard 6'0" x 7'0" DD-AA

Frame - 76-7/8"

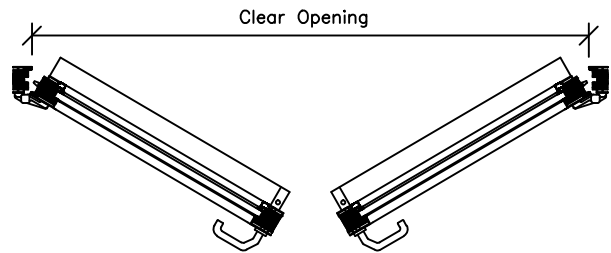
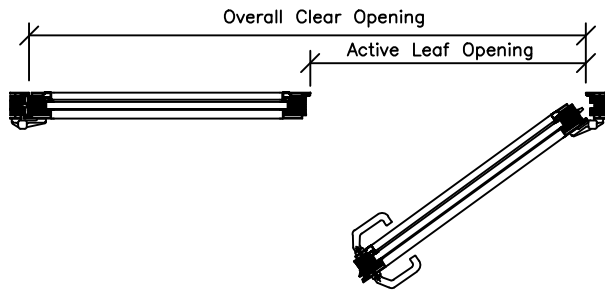


Double Door - Active/Fixed (DD-AF)  
(RHR shown)



Double Door - Active/Active (DD-AA)  
(LHR/RHR shown)

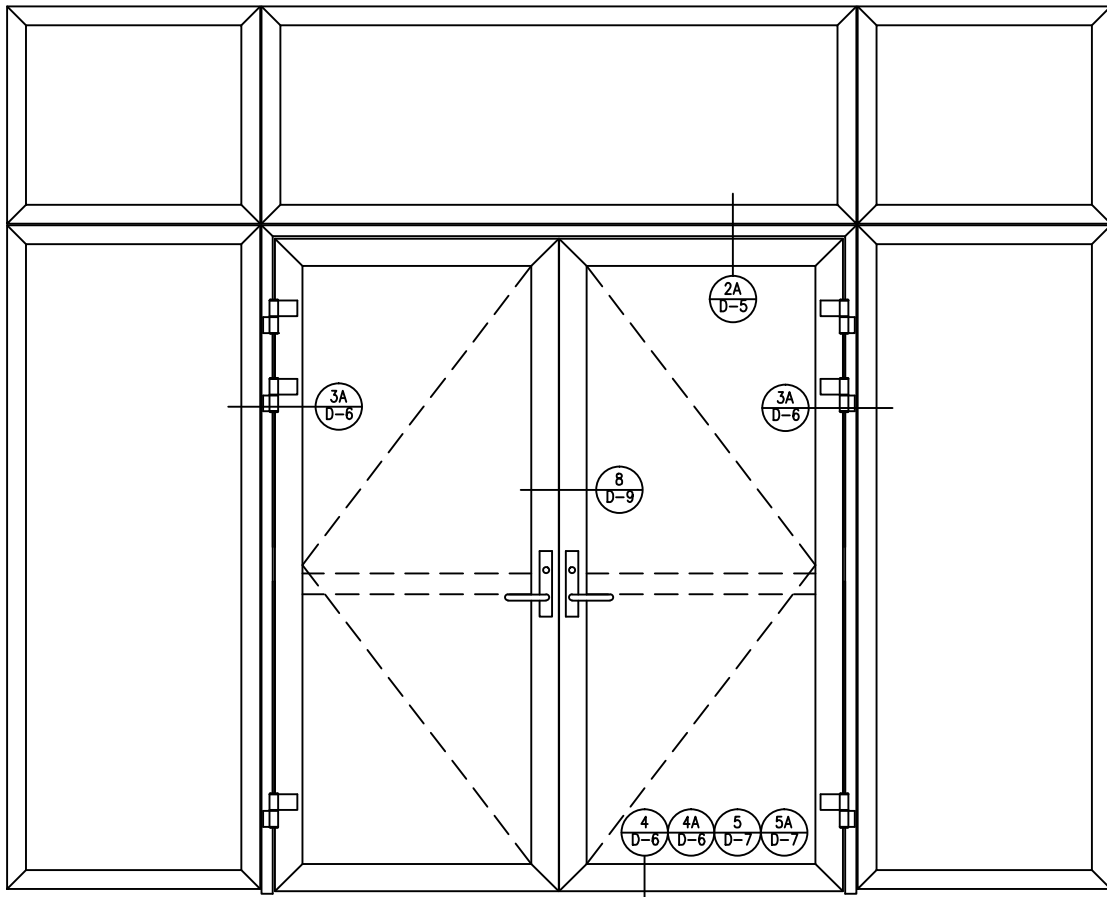
Frame - 86-7/16"



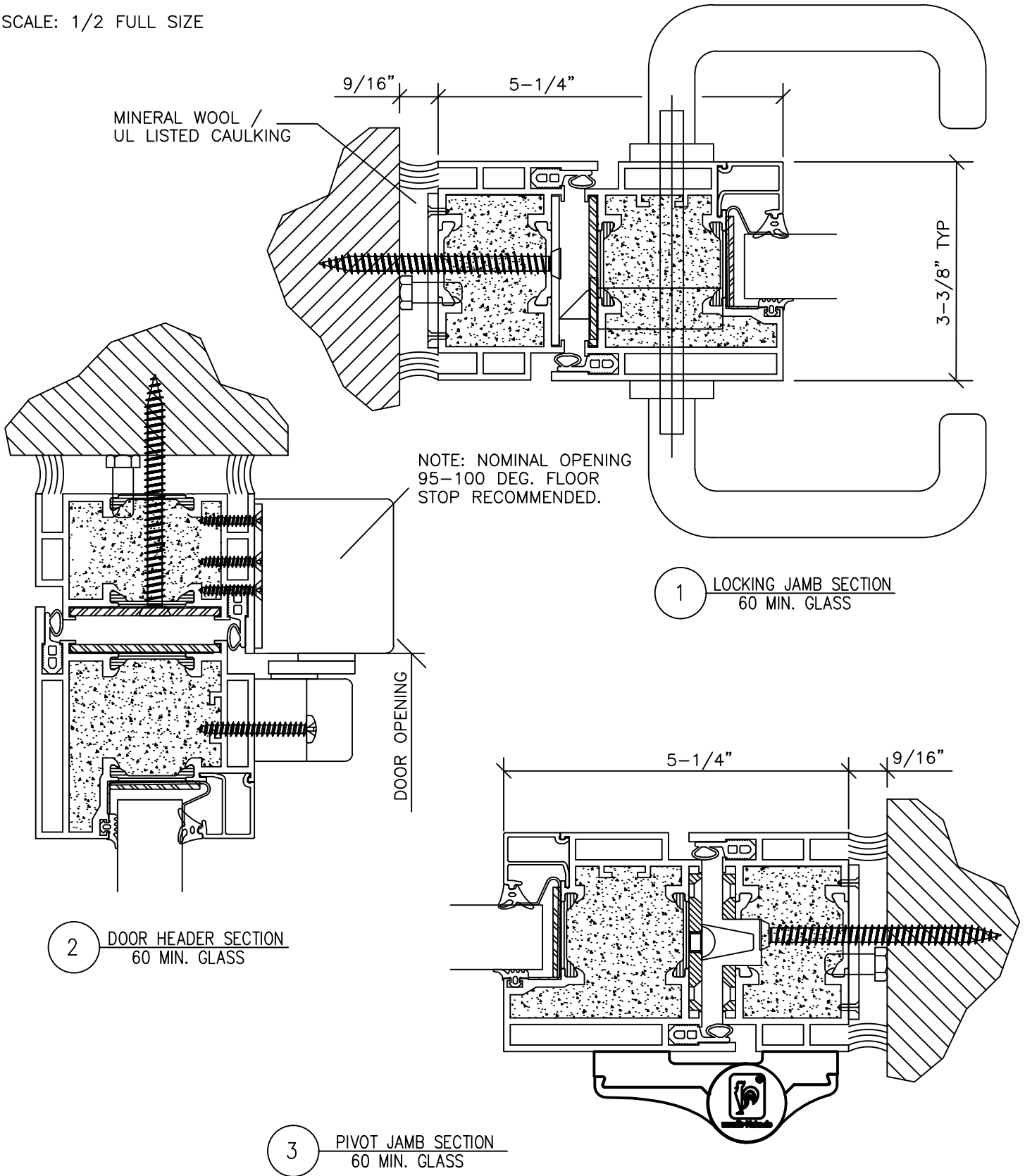


SCALE: NONE

Doors Shown w/ transom  
& Sidelite(s)



SCALE: 1/2 FULL SIZE



MINERAL WOOL /  
UL LISTED CAULKING

9/16" 5-1/4"

3-3/8" TYP

NOTE: NOMINAL OPENING  
95-100 DEG. FLOOR  
STOP RECOMMENDED.

1 LOCKING JAMB SECTION  
60 MIN. GLASS

2 DOOR HEADER SECTION  
60 MIN. GLASS

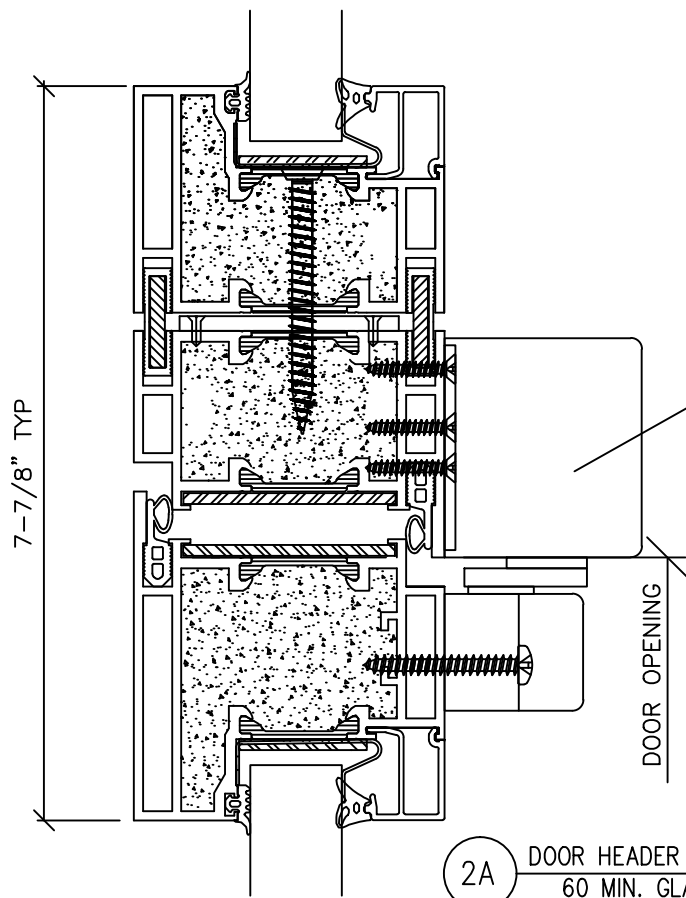
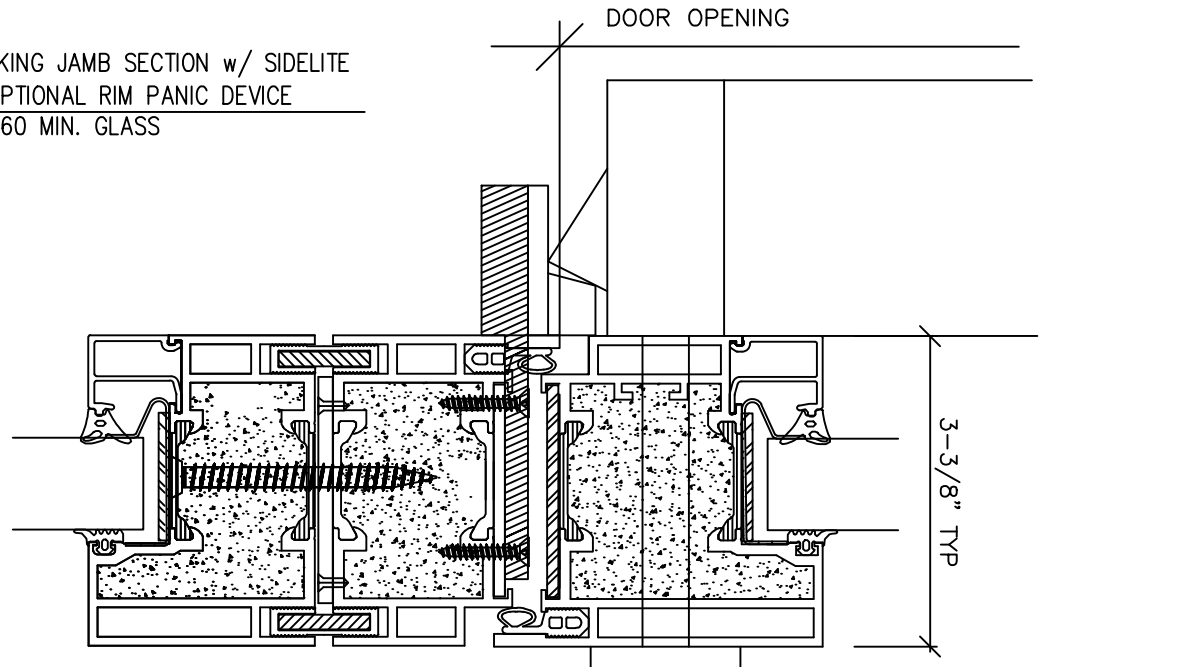
DOOR OPENING

5-1/4" 9/16"

3 PIVOT JAMB SECTION  
60 MIN. GLASS

SCALE: 1/2 FULL SIZE

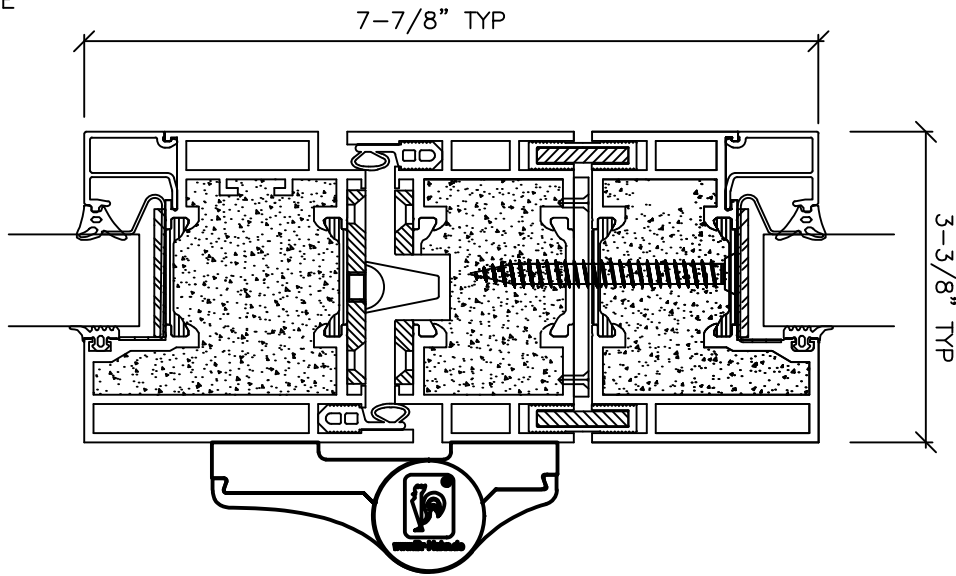
1A LOCKING JAMB SECTION w/ SIDELITE & OPTIONAL RIM PANIC DEVICE  
60 MIN. GLASS



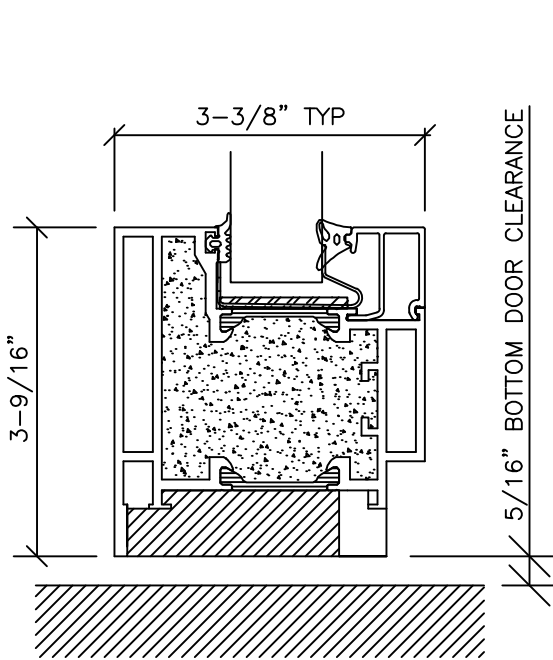
NOTE: NOMINAL OPENING  
95-100 DEG. FLOOR  
STOP RECOMMENDED.

2A DOOR HEADER SECTION w/TRANSOM  
60 MIN. GLASS

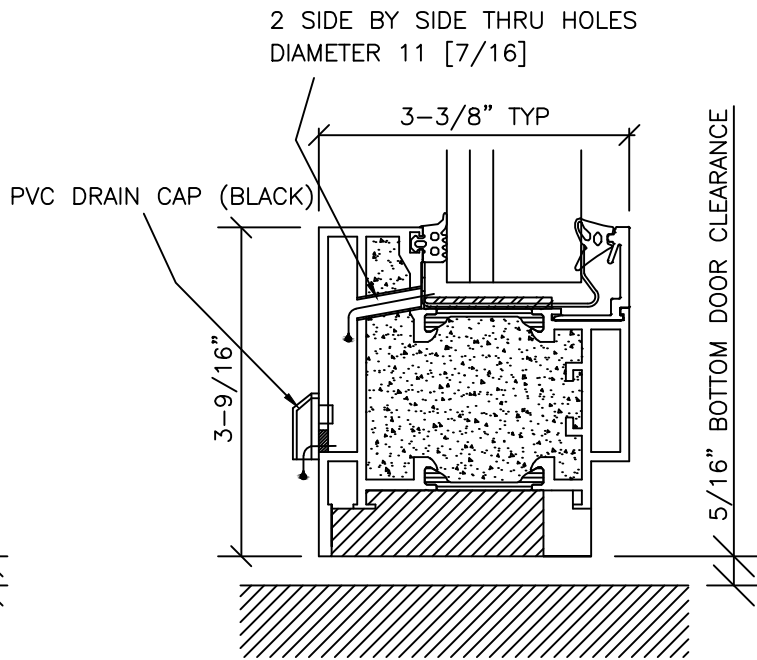
SCALE: 1/2 FULL SIZE



3A PIVOT JAMB SECTION w/ SIDELITE  
60 MIN. GLASS

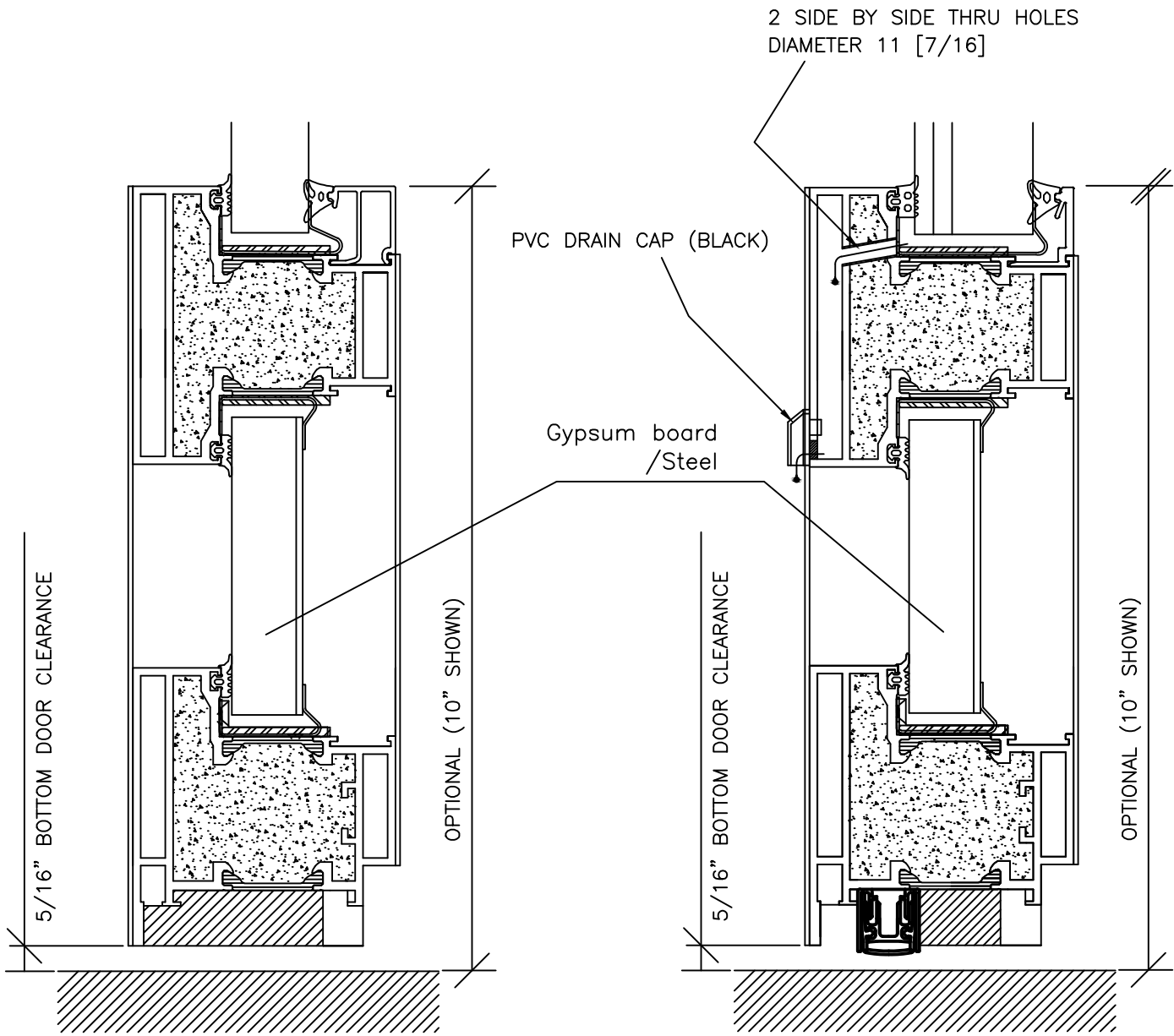


4 BOTTOM DOOR RAIL SECTION  
60 MIN. GLASS



4A BOTTOM DOOR RAIL SECTION (FOR EXT. INSTALL)  
60 MIN. GLASS

SCALE: 1/2 FULL SIZE



OPTION

5

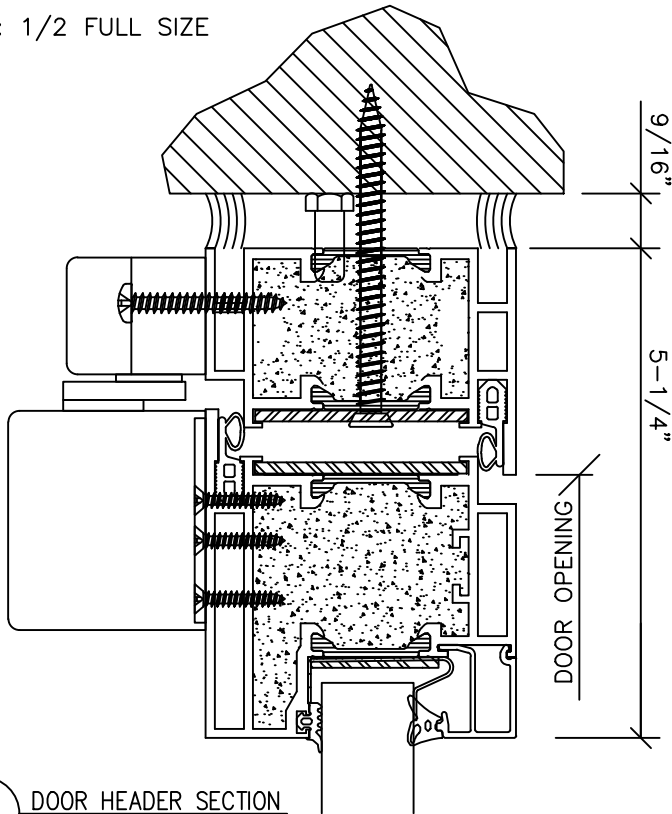
BOTTOM DOOR RAIL SECTION  
60 MIN. GLASS

OPTION

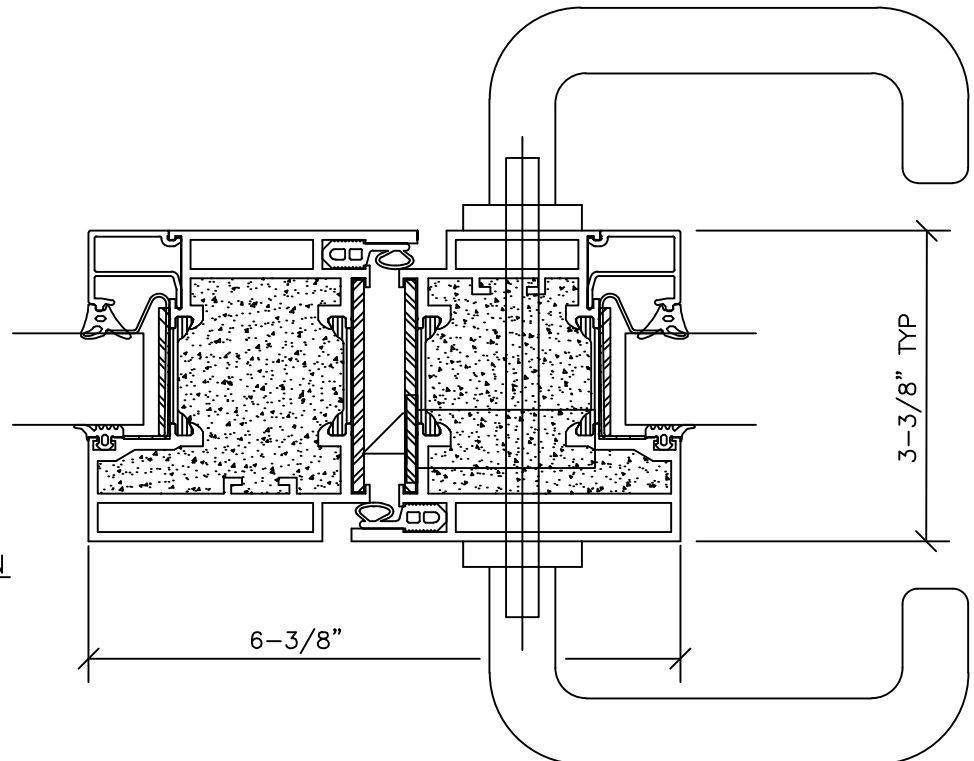
5A

BOTTOM DOOR RAIL SECTION SHOWN W/  
AUTO FLOOR SEAL & DRAINAGE FOR EXTERIOR INSTALL  
60 MIN. GLASS

SCALE: 1/2 FULL SIZE

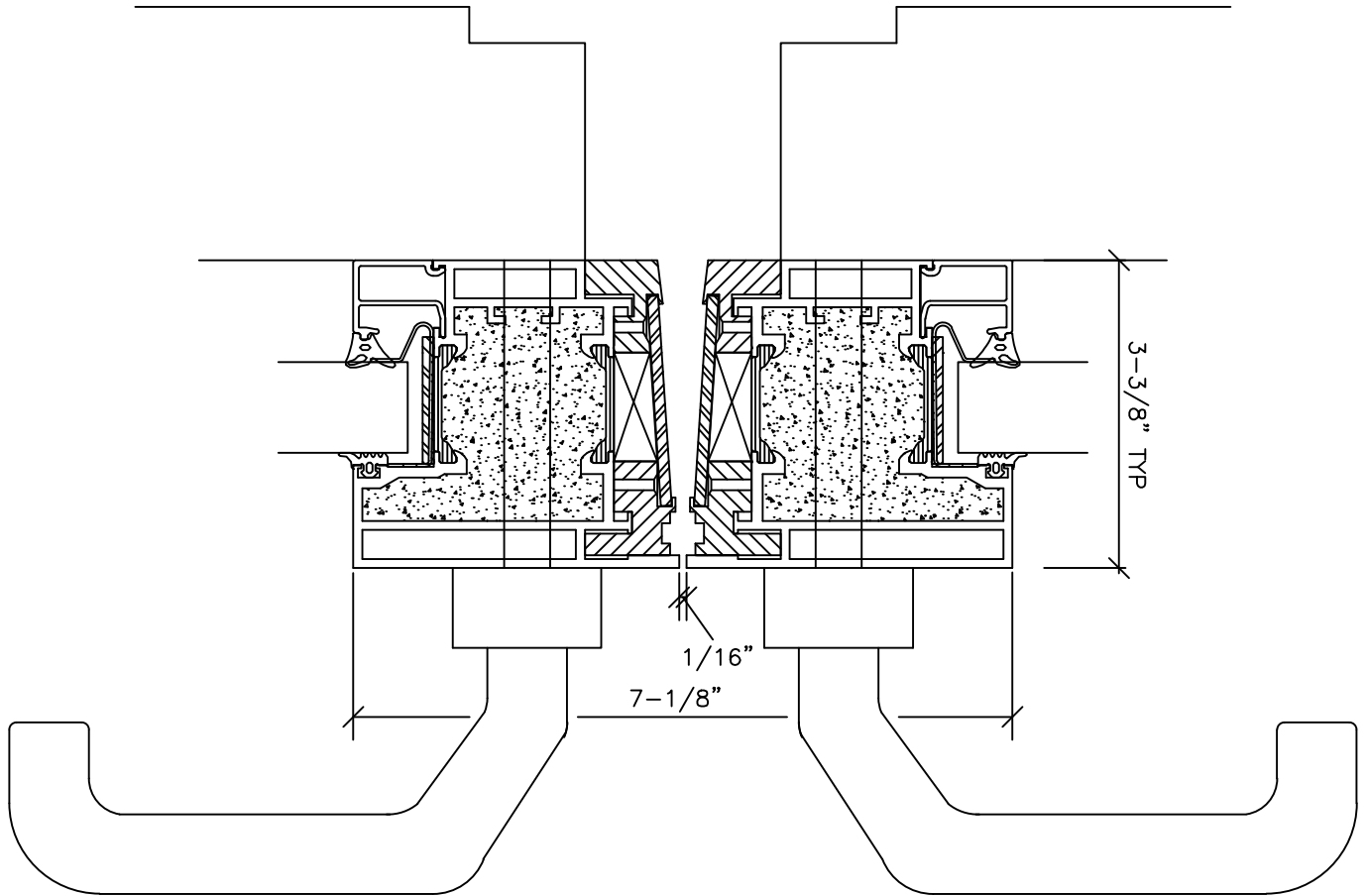


6 DOOR HEADER SECTION  
60 MIN. GLASS



7 MEETING STILE SECTION  
60 MIN. GLASS

SCALE: 1/2 FULL SIZE



8 MEETING STILE SECTION  
60 MIN. GLASS



### STANDARD HARDWARE SETS

#### SD (SINGLE DOOR)

- [1] Surface Track Closer - Dorma TS93-15ST
- [3] Offset Pivots, Aluminum - Dr. Hahn A925 Turband 4 Series
- [1] Mortise Lock - Accurate 8656 1-1/4" US32D
- [1] Swivel Spindle - Accurate Custom
- [2] Lever, Satin Stainless - FSB 1080-003-6204
- [2] Rose, Satin Stainless - FSB 1758-0301-6204
- [1] Mortise Cylinder, Schlage "C" Keyway - Baldwin 8324/8330 Series
- [1] Cylinder Ring, Satin Stainless - FSB 0450-9001-6204
- [2] 10" Aluminum Kickplates
- [1] Set of Gaskets/Seals

(OPTIONS)

- Rim Exit Device - Dorma F9700 Series w/ Lever Trim
- Auto Floor Seal - Planet MF (Standard on Exterior Doors)
- Electric Strike - Von Duprin 6226 24 VDC (w/ mortise lock ONLY)
- Electric Function on panic w/ Electric Power Transfer (VD EPT2/10)

#### DD-AF (DOUBLE DOOR, ACTIVE/FIXED)

- [1] Surface Closer/Coordinator - Dorma TS93-15-GSR
- [6] Offset Pivots, Aluminum - Dr. Hahn A925 Turband 4 Series
- [1] Mortise Lock - Accurate 8656 1-1/4" US32D
- [1] Swivel Spindle - Accurate Custom
- [2] Lever, Satin Stainless - FSB 1080-003-6204
- [2] Rose, Satin Stainless - FSB 1758-0301-6204
- [1] Mortise Cylinder, Schlage "C" Keyway - Baldwin 8324/8330 Series
- [1] Cylinder Ring, Satin Stainless - FSB 0450-9001-6204
- [1] Internal Flush Bolt Assembly - BKS-B1899/1895 (Top of In-Active Leaf ONLY)
- [4] 10" Aluminum Kickplates
- [1] Set of Gaskets/Seals

(OPTIONS)

- Rim Exit Device - Dorma F9700 Series w/ Lever Trim
- Auto Floor Seals - Planet MF (Standard on Exterior Doors)
- Electric Strike - Von Duprin 6226 (w/ mortise lock ONLY)
- Electric Function on panic w/ Electric Power Transfer (VD EPT2/10)

\* Sargent 8500/Falcon 24 Series Narrow Stile RIM Exit Devices are available at additional cost & lead time.  
NOTE: Von Duprin 33/35 Series RIM Exit Devices are NOT UL Listed for Fire Doors - not available on Single or DD-AF Doors

#### DD-AA (DOUBLE DOOR, ACTIVE/ACTIVE)

- [2] Surface Track Closer - Dorma TS93-15ST
- [6] Offset Pivots, Aluminum - Dr. Hahn A925 Turband 4 Series
- [2] Surface Vertical Rod (SVR-Top Rod ONLY) Panics w/ Lever Trim - Dorma F9800 Series
- [2] Mortise Cylinder, Schlage "C" Keyway
- [4] 10" Aluminum Kickplates
- [1] Set of Gaskets/Seals

(OPTIONS)

- Auto Floor Seals - Planet MF (Standard on Exterior Doors)
- Electric Function on panic w/ Electric Power Transfer (VD EPT2/10)

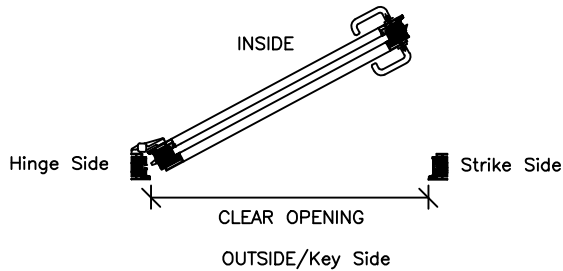
\* Von Duprin 33/35 Series SVR Exit Devices are available at additional cost & lead time.

\* Any additional hardware not listed here is not required for Fire rating and if desired, would be "By Others" \*

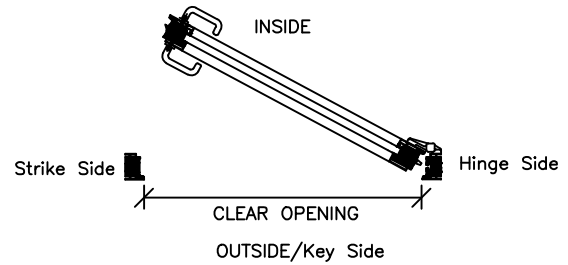
- These lists contain ALUFLAM's standard packages and most commonly specified hardware options
- SCHLAGE "C" Keyway is standard unless otherwise specified - Other options are available
- Please inquire about additional options
- See Accurate literature for available mortise lock functions ([www.accurate.to](http://www.accurate.to))
- See FSB literature for optional lever trim designs ([www.fsbna.com](http://www.fsbna.com))

\* Dorma TS93 Narrow profile Track type closer used with Curtainwall System or limited above door frame clearance. Note limited opening angle, range of approximately 95 degrees. - Floor stop recommended

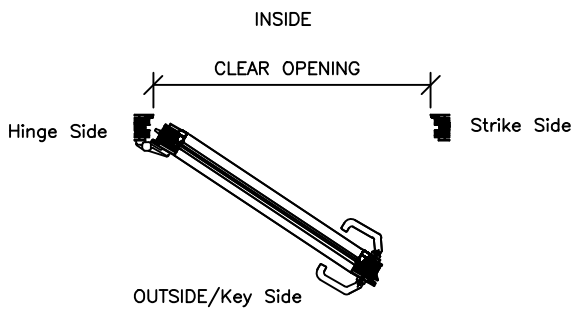
ANSI A250.7-1997 Door Handing Chart



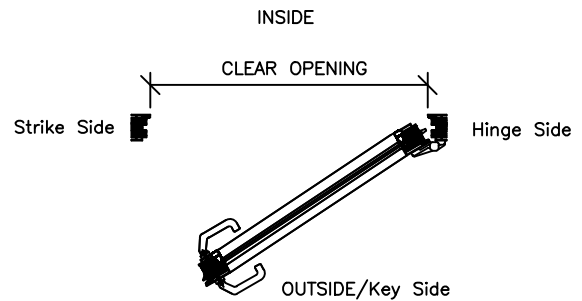
LEFT HAND DOOR (SWING IN)



RIGHT HAND DOOR (SWING IN)



LEFT HAND REVERSE (SWING OUT)



RIGHT HAND REVERSE (SWING OUT)

SCALE: 1/2 FULL SIZE

### GLAZING CONFIGURATIONS

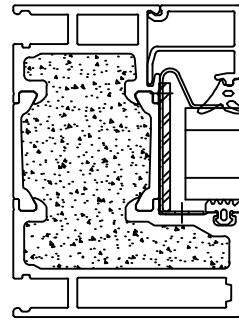
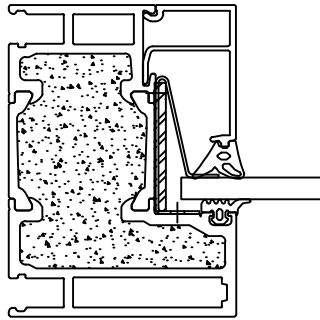
#### INTERIOR

#### EXTERIOR

#### (INSULATED GLASS UNITS)

20 Min. Rating - w Pyroswiss US

20 Min. Rating - w Pyroswiss US IGU

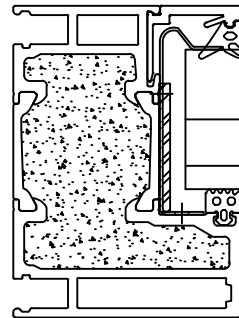
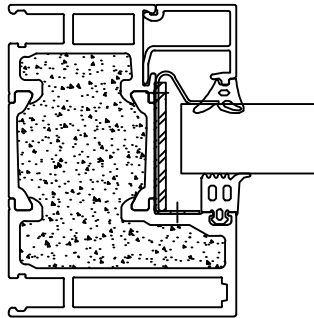


1/4" SGG Pyroswiss US  
1/2" Air Space  
1/4" Hardcoat Low-E Outboard Lite

(1" Overall Glass Thickness)

45 Min. Rating - w Contraflam 45

45 Min. Rating - w Contraflam 45 IGU

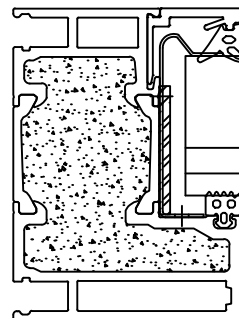
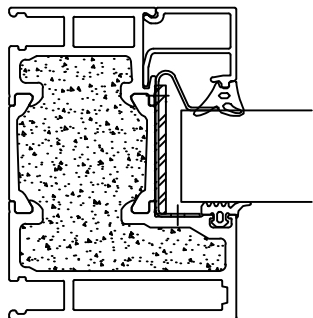


3/4" SGG Contraflam 45  
1/2" Air Space  
1/4" Hardcoat Low-E Outboard Lite

(1-1/2" Overall Glass Thickness)

60 Min. Rating - w Contraflam 60

60 Min. Rating - w Contraflam 60 IGU



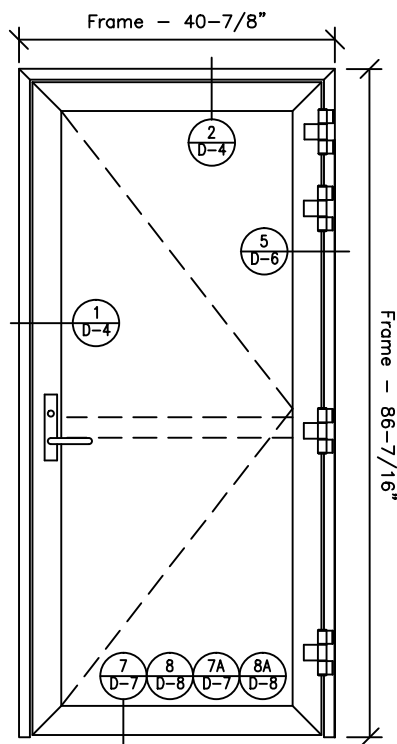
1-1/16" SGG Contraflam 60  
1/4" Air Space  
1/4" Hardcoat Low-E Outboard Lite

(1-9/16" Overall Glass Thickness)

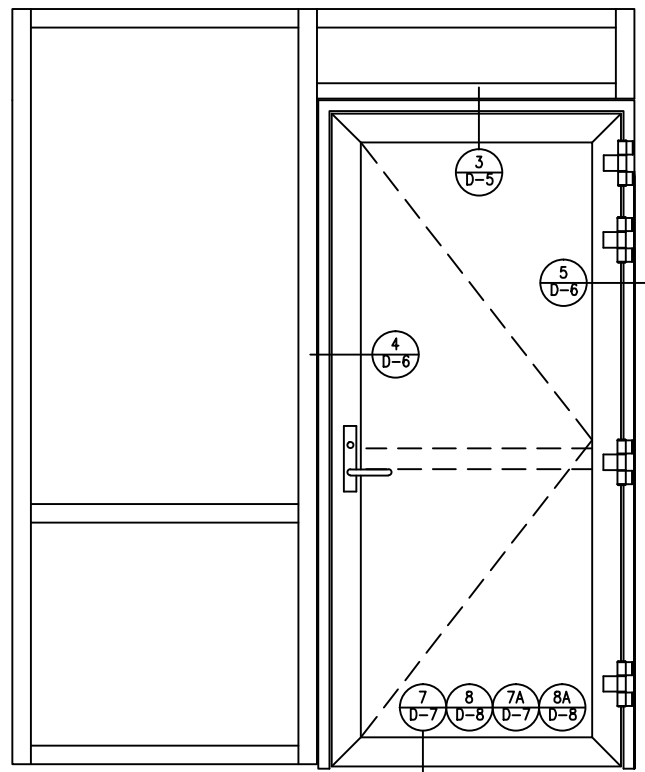
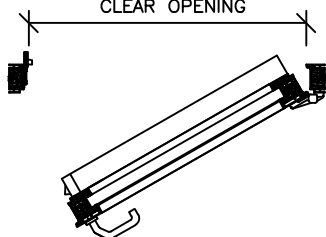
SCALE: NONE

- Standard thickness:
  - 3-5/8" (interior)
  - 4-1/8" (exterior with insulated glass unit)
- Maximum door opening
  - 3'6x8'0 (SD) / 7'0x8'0 (DD)
- Available in Anodized, Powdercoated and Architectural Painted finishes
- Interior and exterior installation
- Factory finished, assembled, and ready for installation
- Door frames integrate with Aluflam 120 Min Curtainwall System for sidelites/transoms.
- 90 Min, Heat Barrier Doors are heavy and closers adjusted to meet reduced opening force requirements may not be adequate to close & latch doors reliably. Opening force of closers that are adjusted to close/latch doors reliably could be 15lbs, or more, depending on conditions. If this is a concern, use of an operator or power assist closer should be considered.

Frame Size for standard 3'0 x 7'0 SD

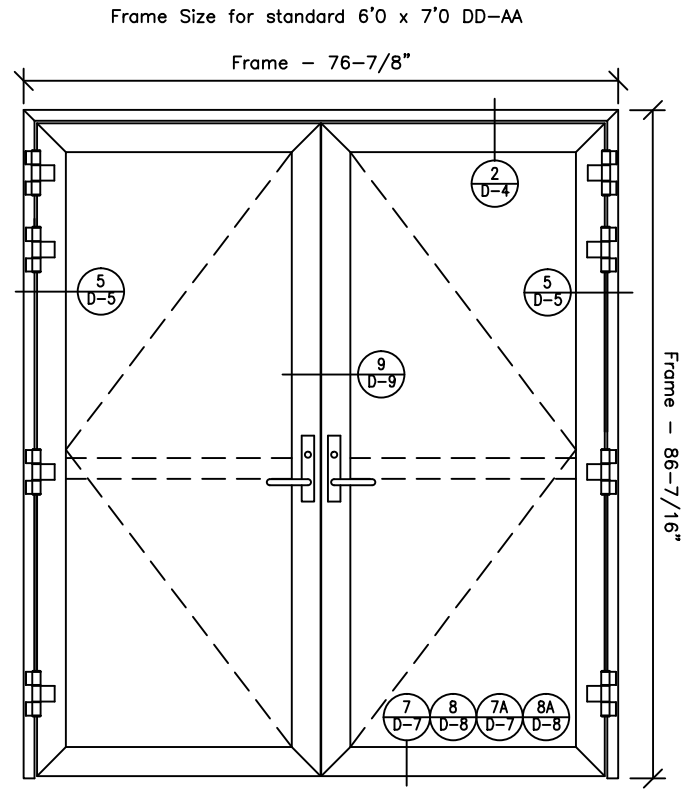


Single Door (SD)  
(RHR shown)  
CLEAR OPENING

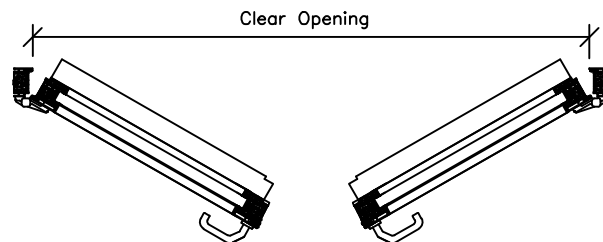


Door Shown w/ transom  
& Sidelite

SCALE: NONE

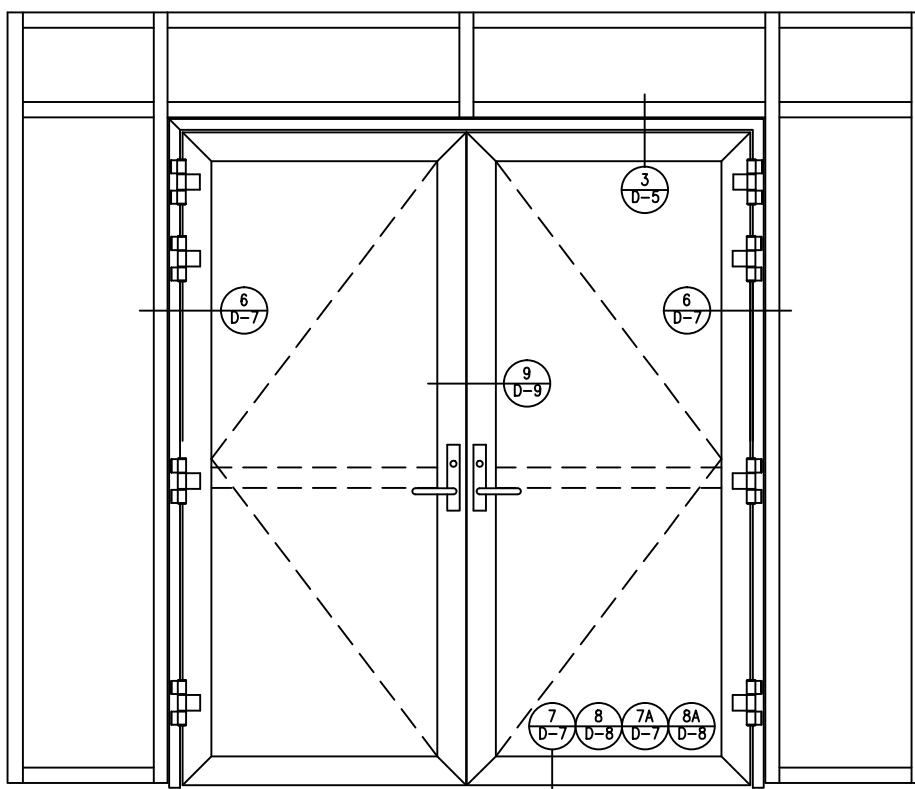


Double Door - Active/Active (DD-AA)  
(LHR/RHR shown)

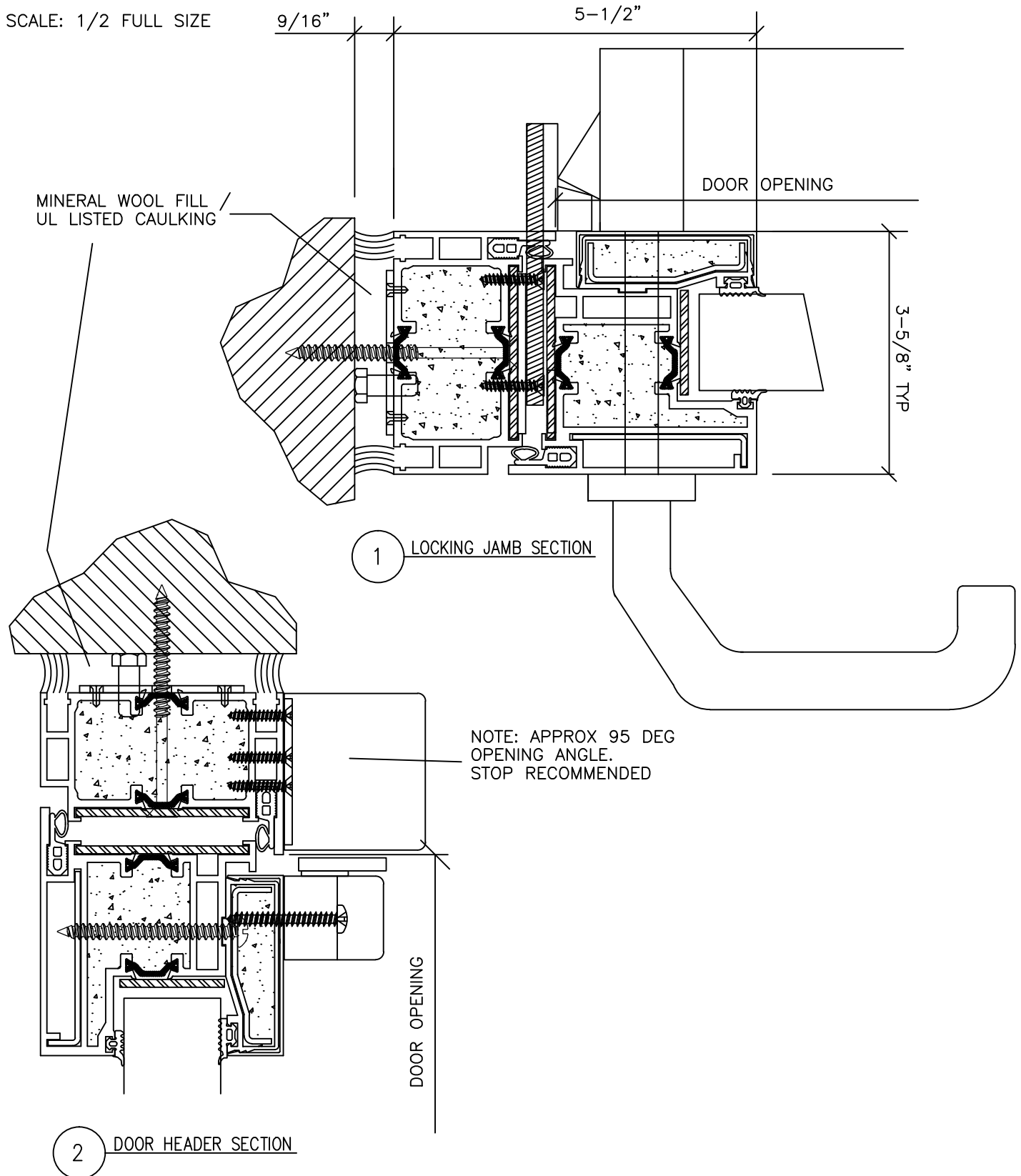


SCALE: NONE

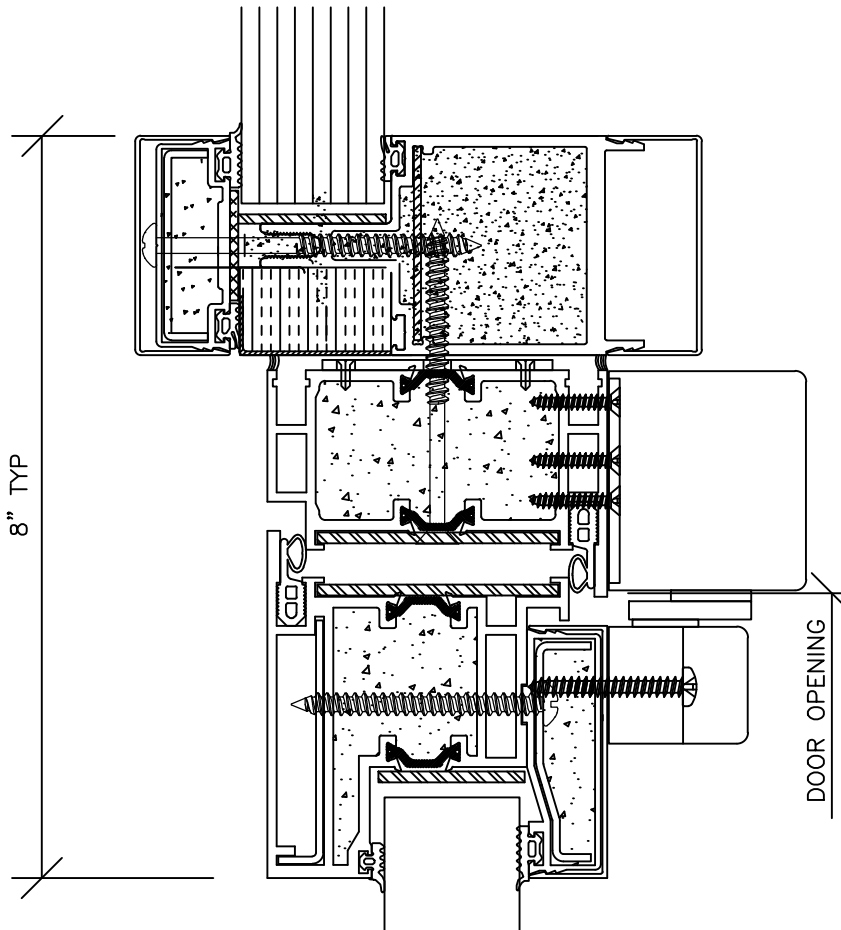
Doors Shown w/ 120 min transom  
& Sidelite(s)



SCALE: 1/2 FULL SIZE



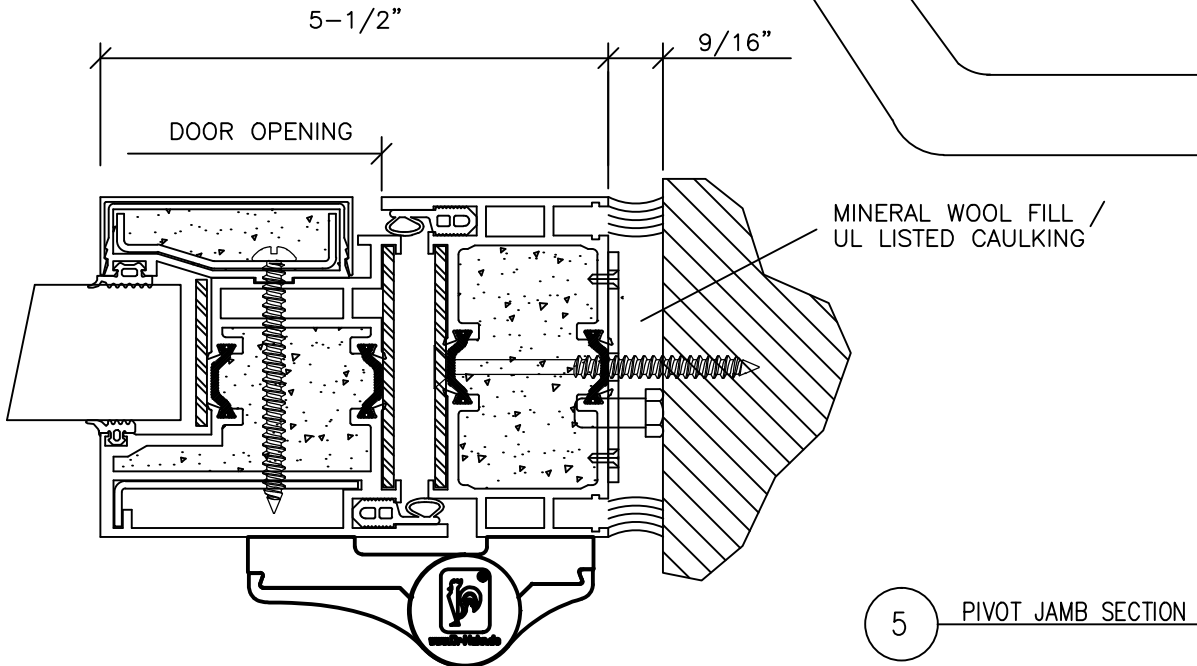
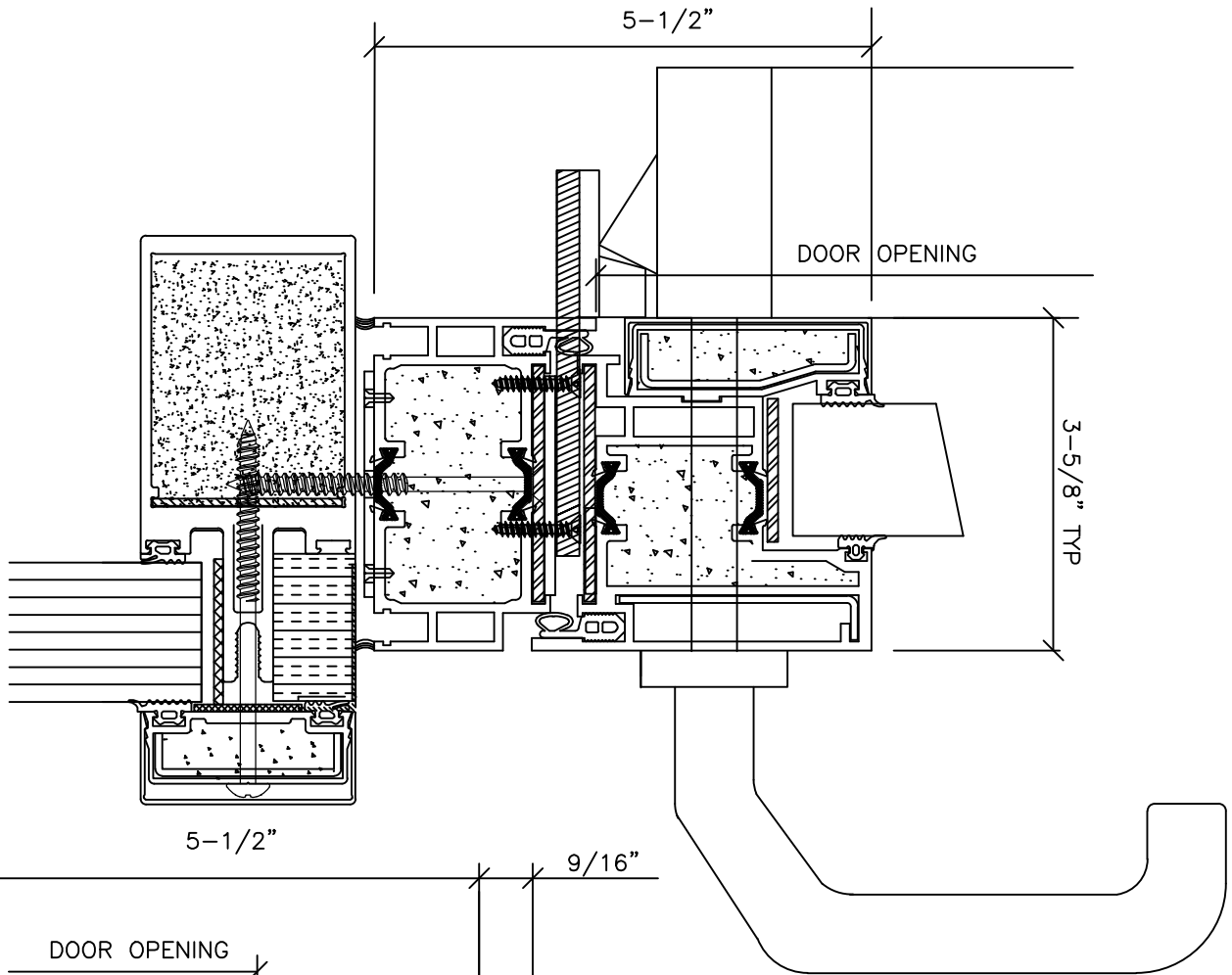
SCALE: 1/2 FULL SIZE



3 DOOR HEADER SECTION w/TRANSOM

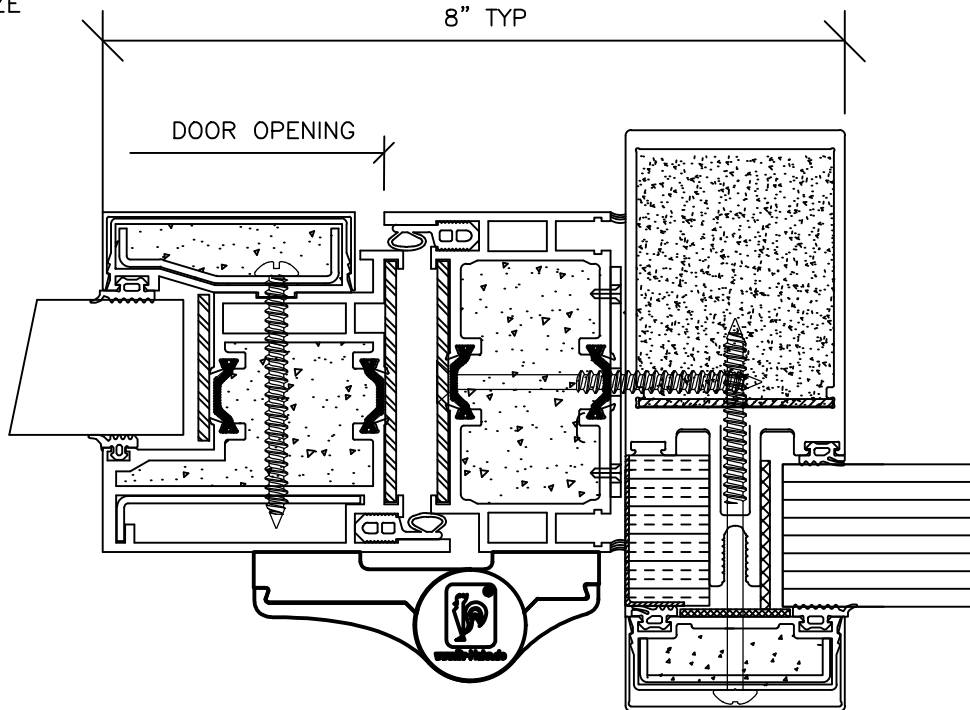
SCALE: 1/2 FULL SIZE

4 LOCKING JAMB SECTION w/ SIDELITE



5 PIVOT JAMB SECTION

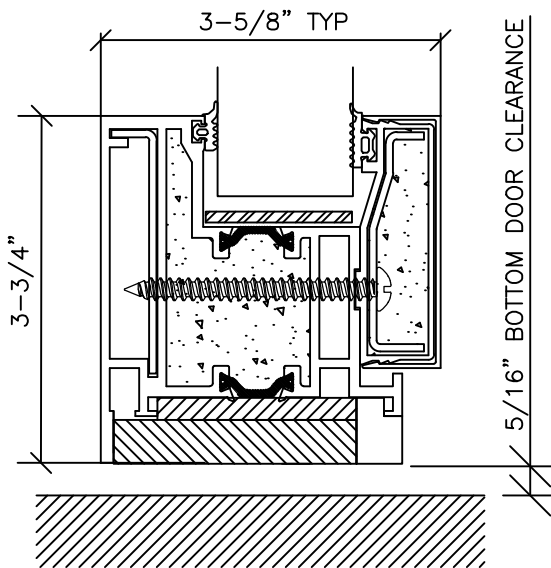
SCALE: 1/2 FULL SIZE



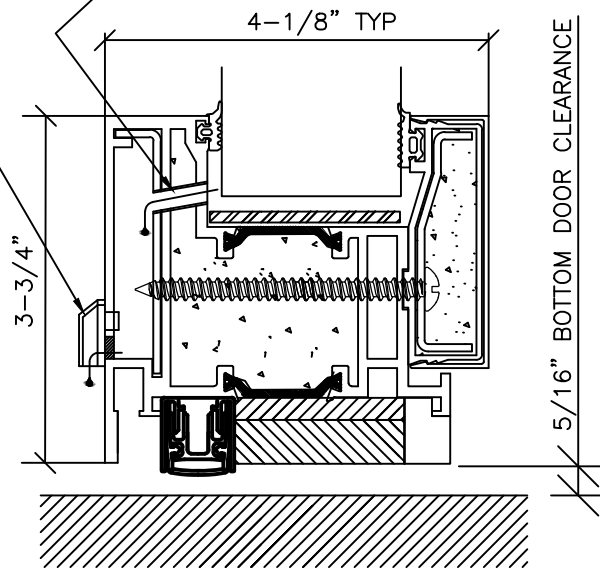
6 PIVOT JAMB SECTION w/ SIDELITE

PVC DRAIN CAP (BLACK)  
SNAPPED INTO 6 X 25 SLOT

2 SIDE BY SIDE THRU HOLES  
DIAMETER - 11 [7/16]

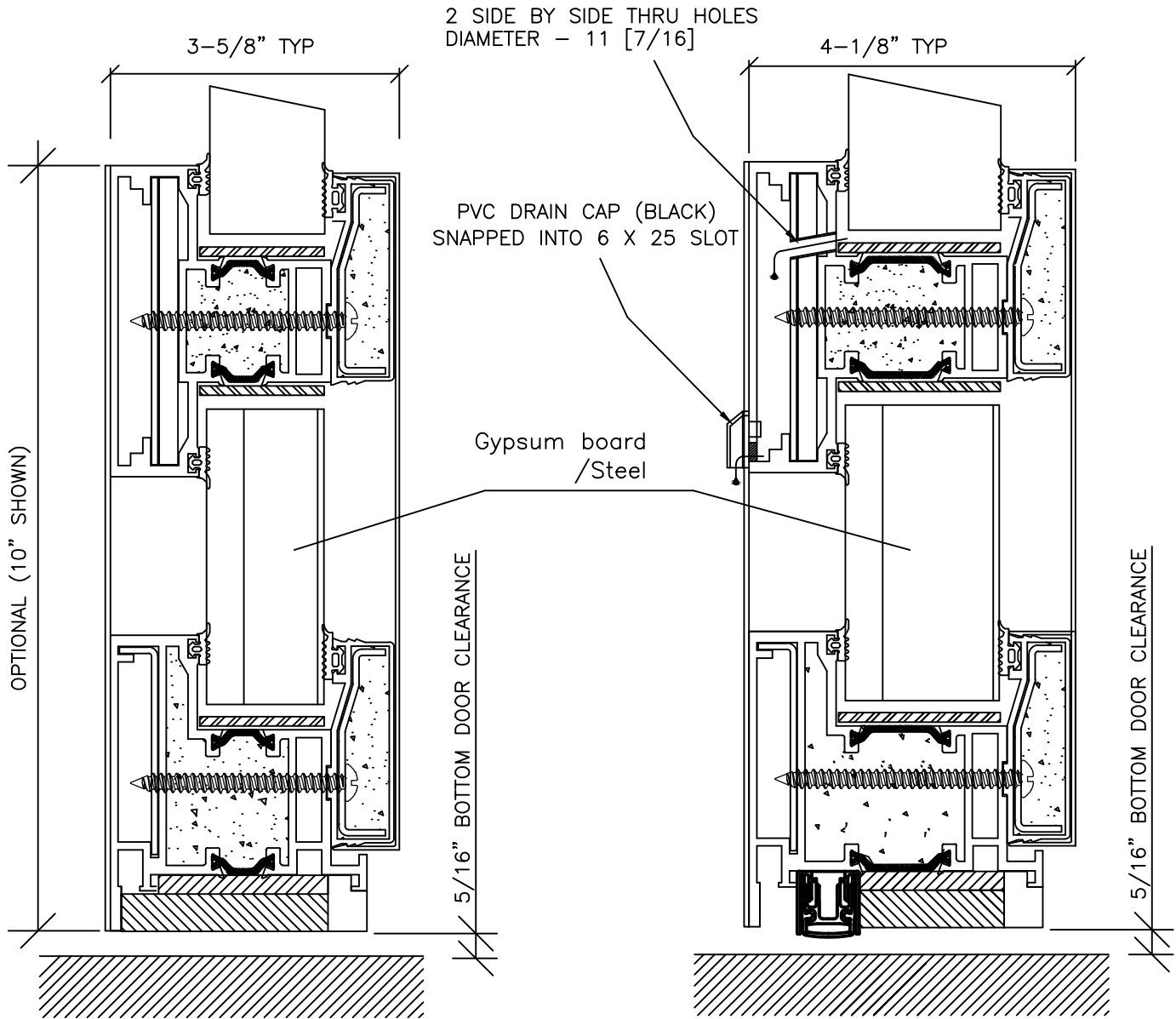


7 BOTTOM DOOR RAIL SECTION  
(Interior)



7A BOTTOM DOOR RAIL SECTION  
(Exterior)

SCALE: 1/2 FULL SIZE



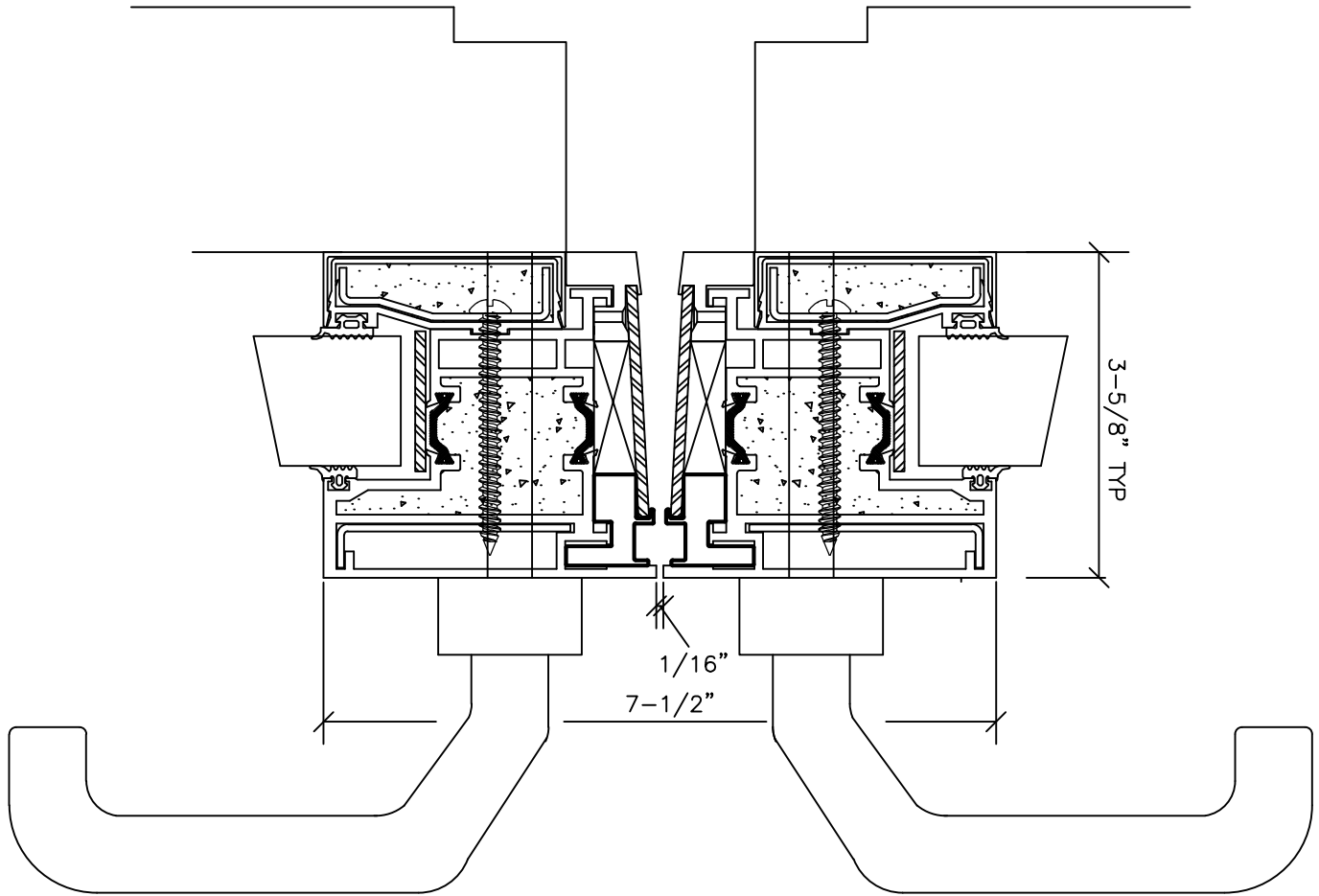
OPTION

8 BOTTOM DOOR RAIL SECTION,  
SHOWN w/ 10" KICKPLATES (interior)

OPTION

8A BOTTOM DOOR RAIL SECTION,  
SHOWN w/ AUTO FLOOR SEAL OPTION (exterior)

SCALE: 1/2 FULL SIZE



9 MEETING STILE SECTION



### STANDARD HARDWARE SETS

#### SD (SINGLE DOOR)

- [1] Surface Track Closer - Dorma TS93-15ST
  - [4] Offset Pivots, Aluminum - Dr. Hahn A951 Turband 4 Series
  - [1] Rim Exit Device - Dorma F9700 Series w/ Lever Trim
  - [1] Mortise Cylinder, Schlage "C" Keyway
  - [2] 10" Aluminum Kickplates
  - [1] Set of Gaskets/Seals
- (OPTIONS)
- Mortise Lock - Accurate 8600 Series - w/ FSB Trim
  - Auto Floor Seal - Planet MF (Standard on Exterior Doors)
  - Electric Strike - Von Duprin 6226 (w/ mortise lock ONLY)
  - Electric Function on panic w/ Electric Power Transfer (VD EPT2/10)

\* Sargent 8500/Falcon 24 Series Narrow Stile RIM Exit Devices are available at additional cost & lead time.  
NOTE: Von Duprin 33/35 Series RIM Exit Devices are NOT UL Listed for Fire Doors - not available on Single Doors

#### DD-AA (DOUBLE DOOR, ACTIVE/ACTIVE)

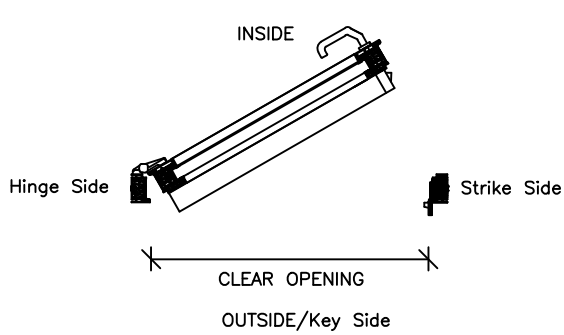
- [2] Surface Track Closer - Dorma TS93-15ST
  - [8] Offset Pivots, Aluminum - Dr. Hahn A951 Turband 4 Series
  - [2] Surface Vertical Rod Panics w/ Lever Trim - Dorma F9800 Series
  - [2] Mortise Cylinder, Schlage "C" Keyway
  - [4] 10" Aluminum Kickplates
  - [1] Set of Gaskets/Seals
- (OPTIONS)
- Auto Floor Seals - Planet MF (Standard on Exterior Doors)
  - Electric Function on panic w/ Electric Power Transfer (VD EPT2/10)
- \* Von Duprin 33/35 Series SVR Exit Devices are available at additional cost & lead time.

\* Any additional hardware not listed here is not required for Fire rating and if desired, would be "By Others" \*

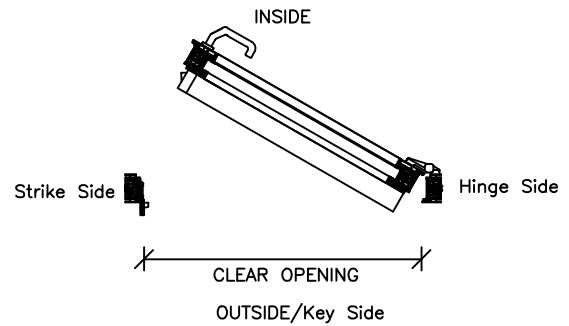
- These lists contain ALUFLAM's standard packages and most commonly specified hardware options
- SCHLAGE "C" Keyway is standard unless otherwise specified - Other options are available
- Please inquire about additional options
- See Accurate literature for available mortise lock functions ([www.accurate.to](http://www.accurate.to))
- See FSB literature for optional lever trim designs ([www.fsbna.com](http://www.fsbna.com))

\* Dorma TS93 Narrow profile Track type closer Standard & used w/ Curtainwall system or limited above door frame clearance. Note limited opening angle, range of approximately 95 degrees. - Floor stop recommended

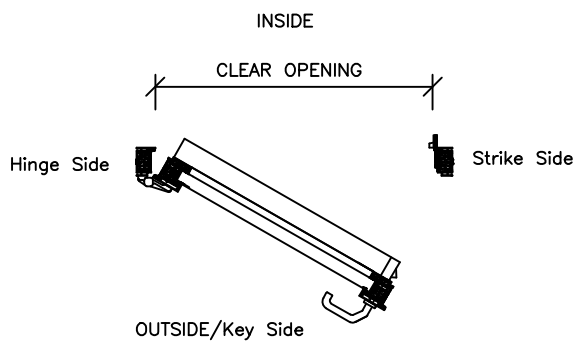
### ANSI A250.7-1997 Door Handing Chart



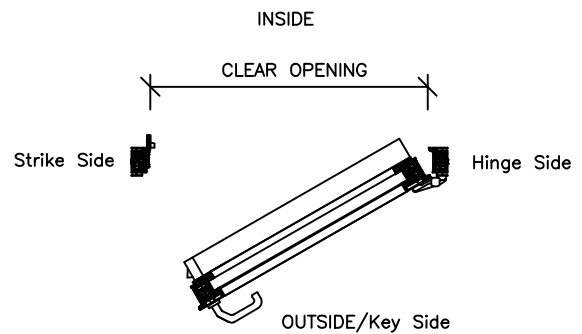
LEFT HAND DOOR (SWING IN)



RIGHT HAND DOOR (SWING IN)



LEFT HAND REVERSE (SWING OUT)

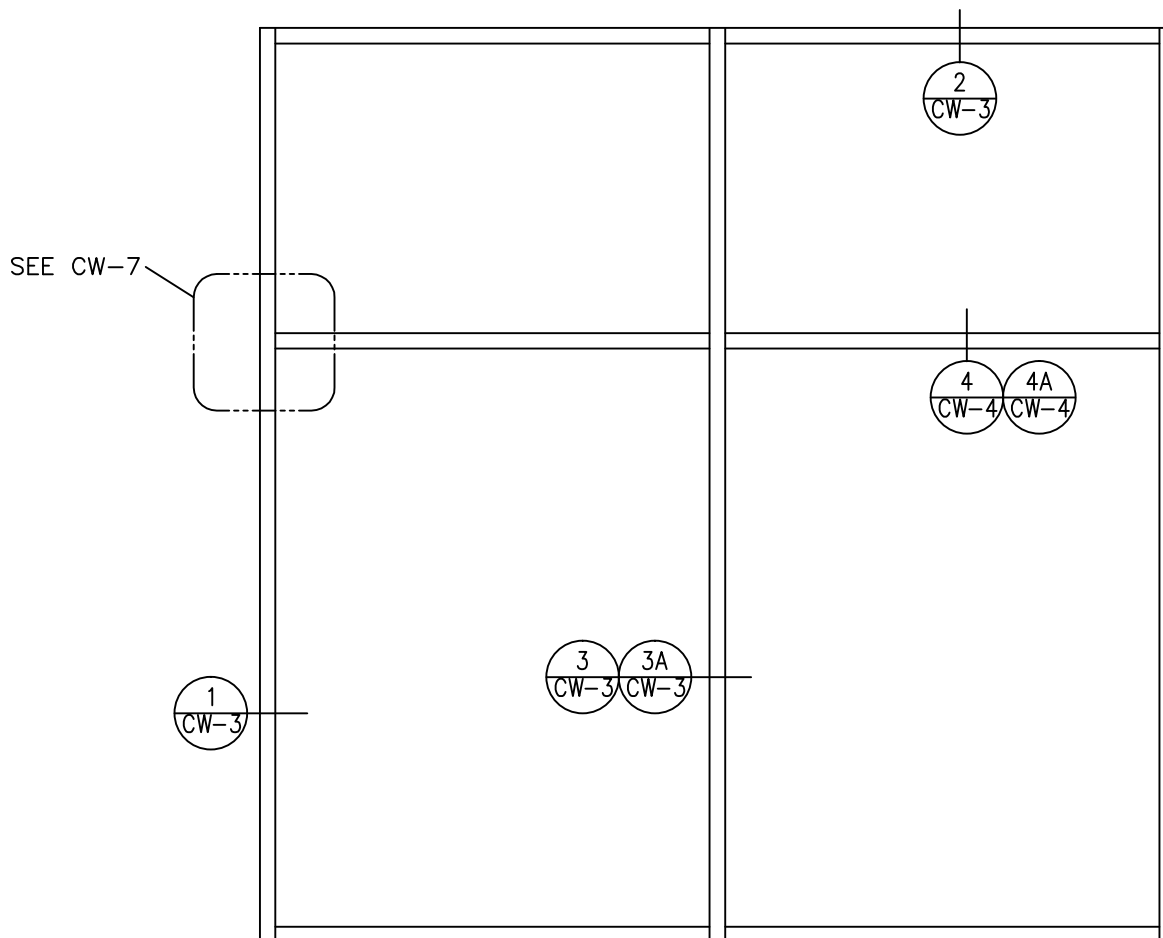


RIGHT HAND REVERSE (SWING OUT)



SCALE: NONE

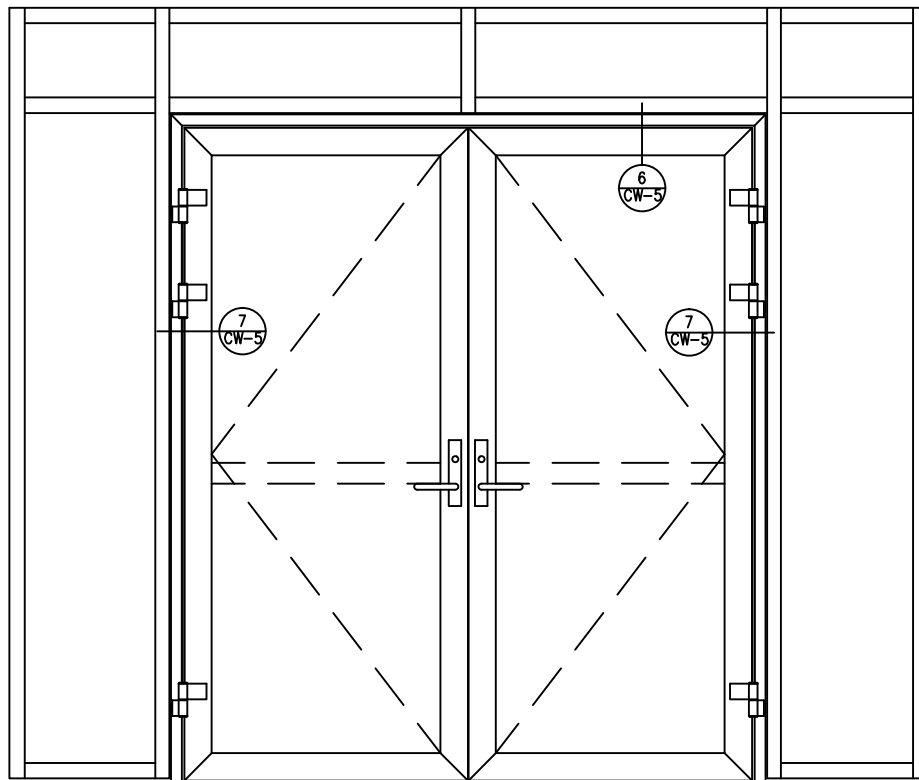
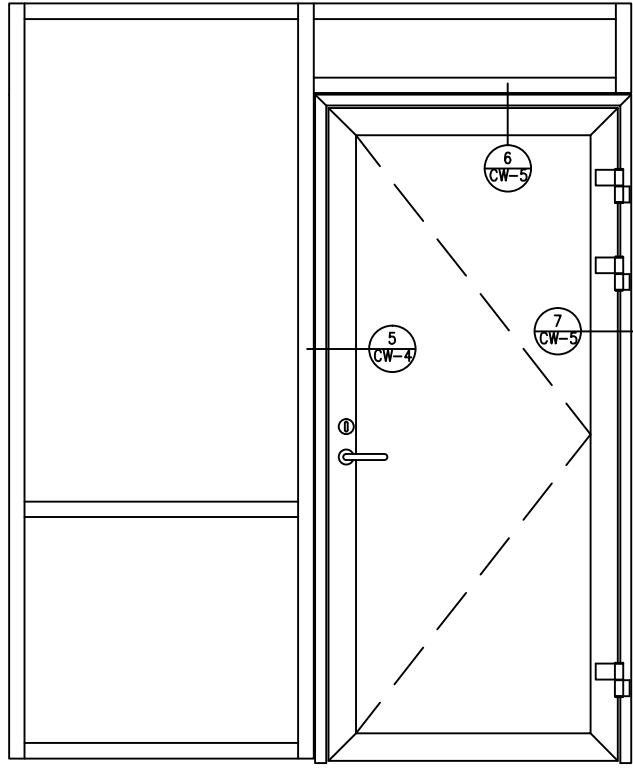
- 2" x 5-3/16" standard framing members
- Available in Anodized, Powdercoated & Architectural Painted finishes
- Interior and exterior installation
- Delivered fully assembled - or segmented for ease of transport/handling
- 60 minute rated per UL263
- Please refer to literature for max. sizes / ratings
- Optional Deeper framing members available (see pages 6 & 7).



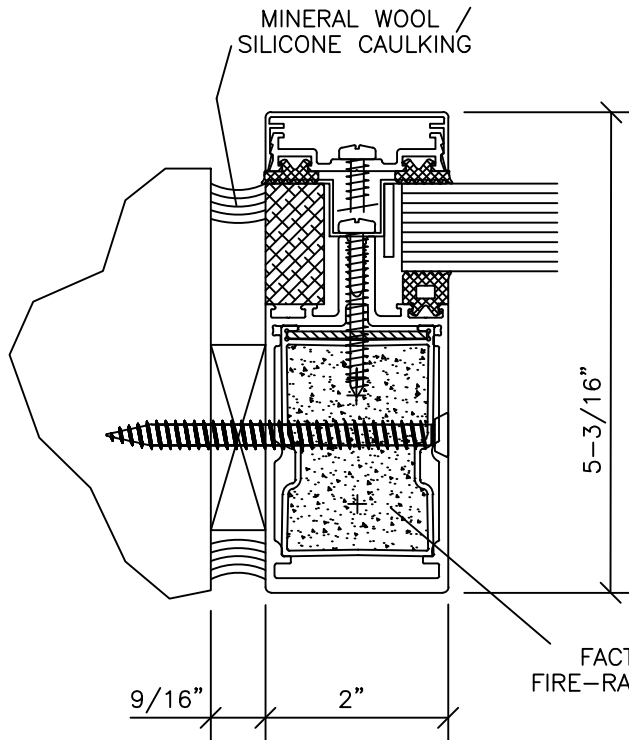


SCALE: NONE

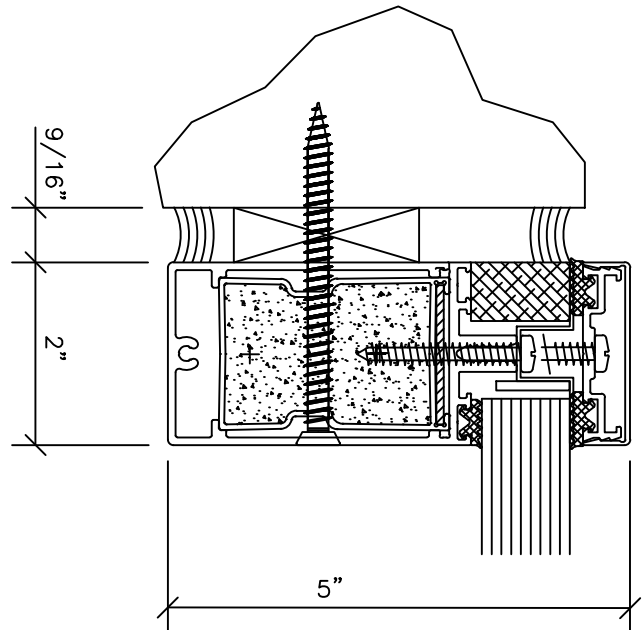
Curatinwall Shown integrated w/  
Doors as sidelites & Transoms



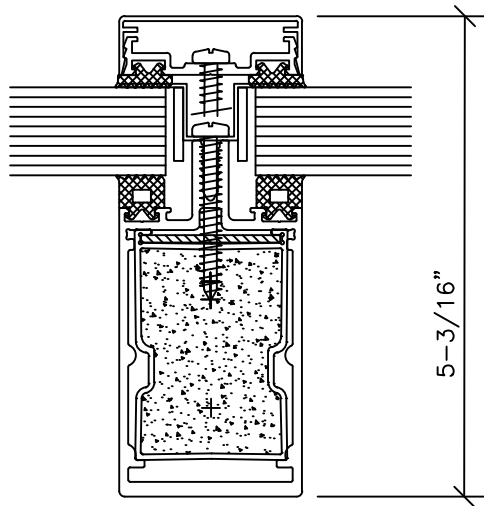
SCALE: 1/2 FULL SIZE



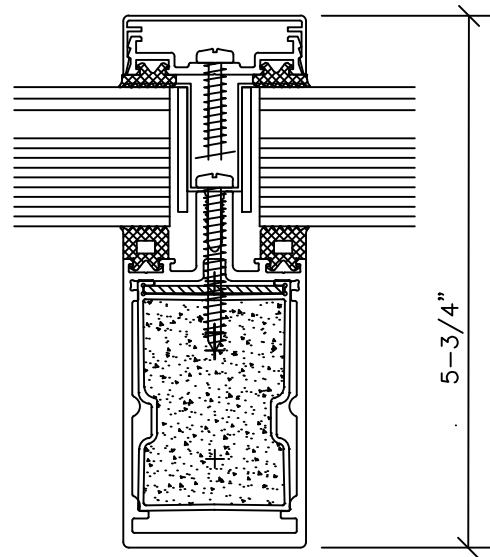
1 JAMB SECTION



2 HEAD SECTION

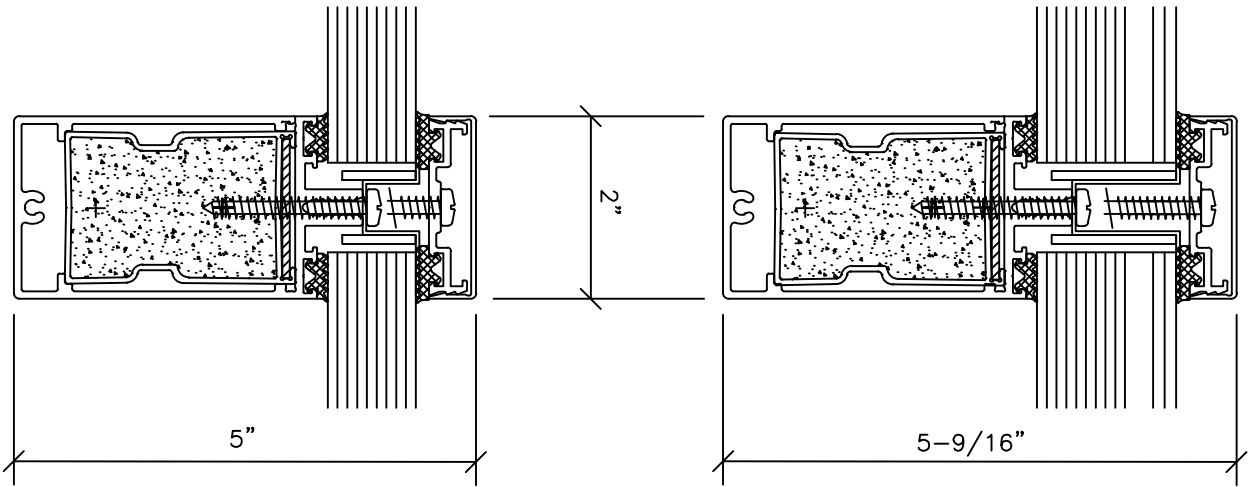


3 VERT. SECTION



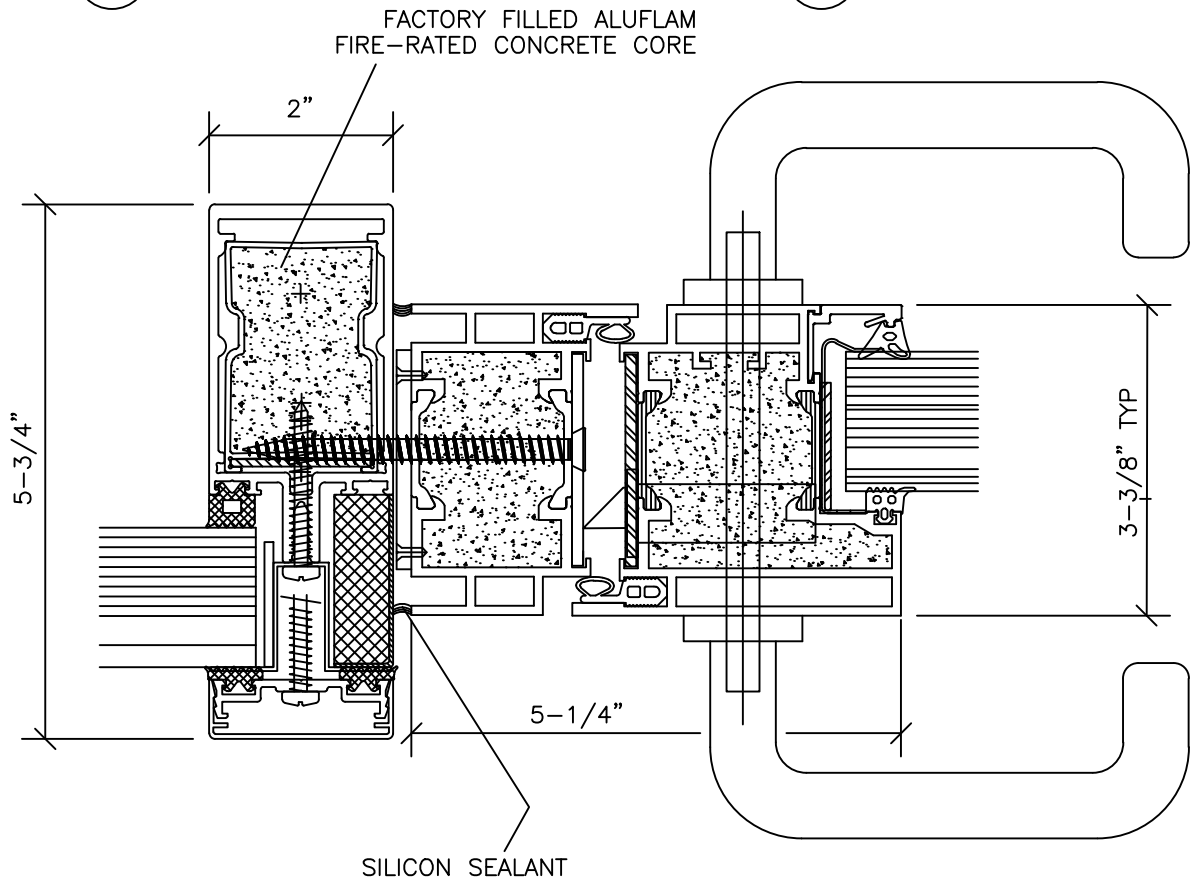
3A VERT. SECTION (EXT. INSTALL)  
CONTRAFLAM 60 MIN IGU

SCALE: 1/2 FULL SIZE



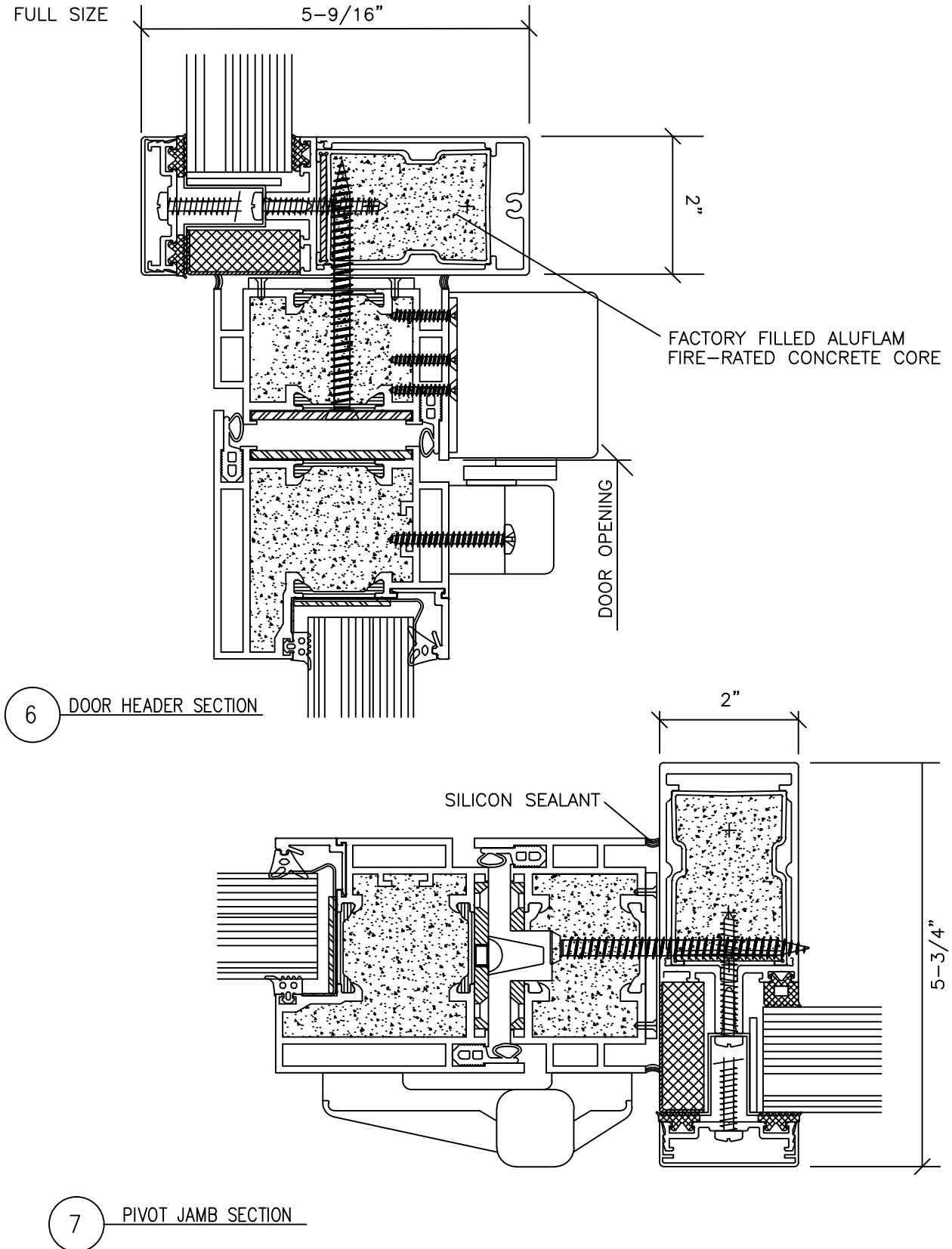
4 HOR. SECTION

4A HOR. SECTION (EXT. INSTALL)  
CONTRAFLAM 60 MIN IGU



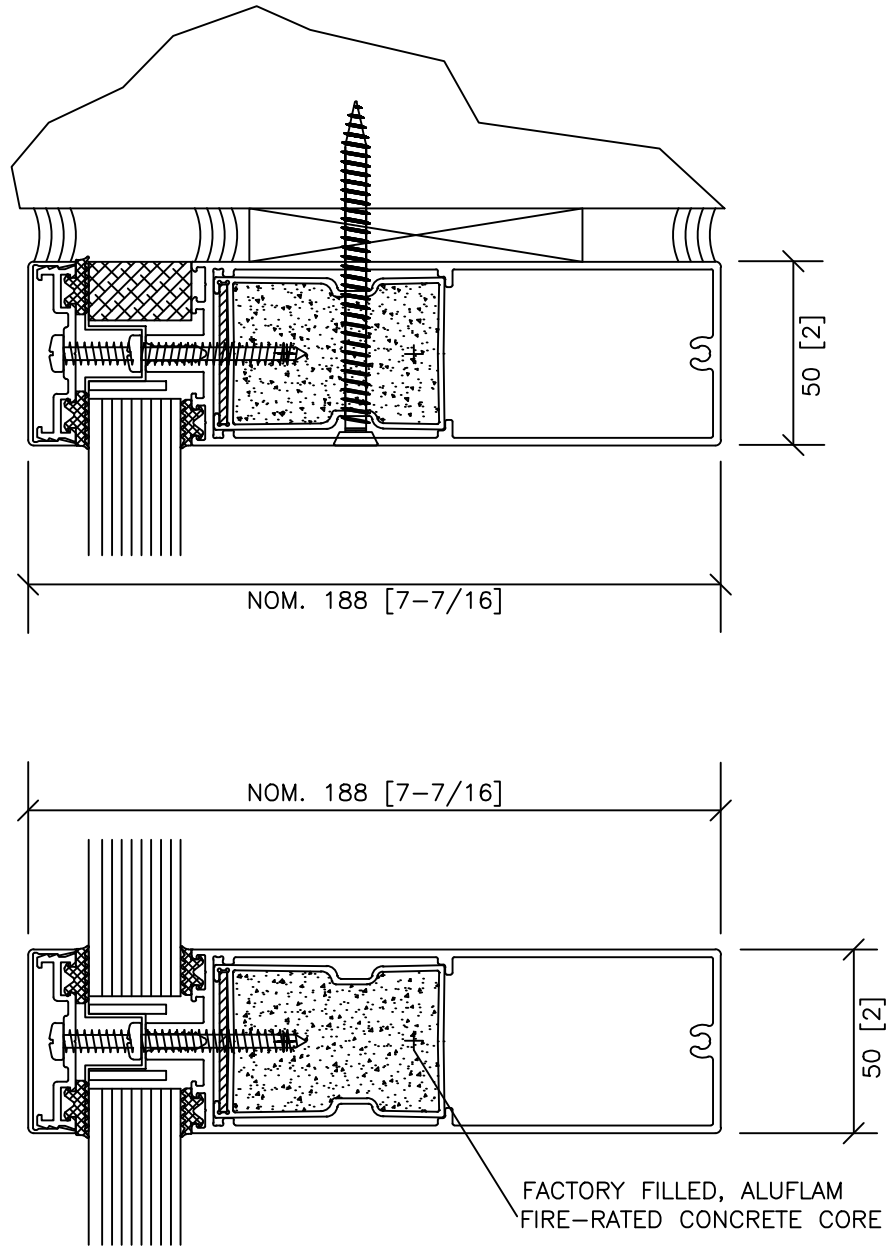
5 LOCKING JAMB SECTION

SCALE: 1/2 FULL SIZE



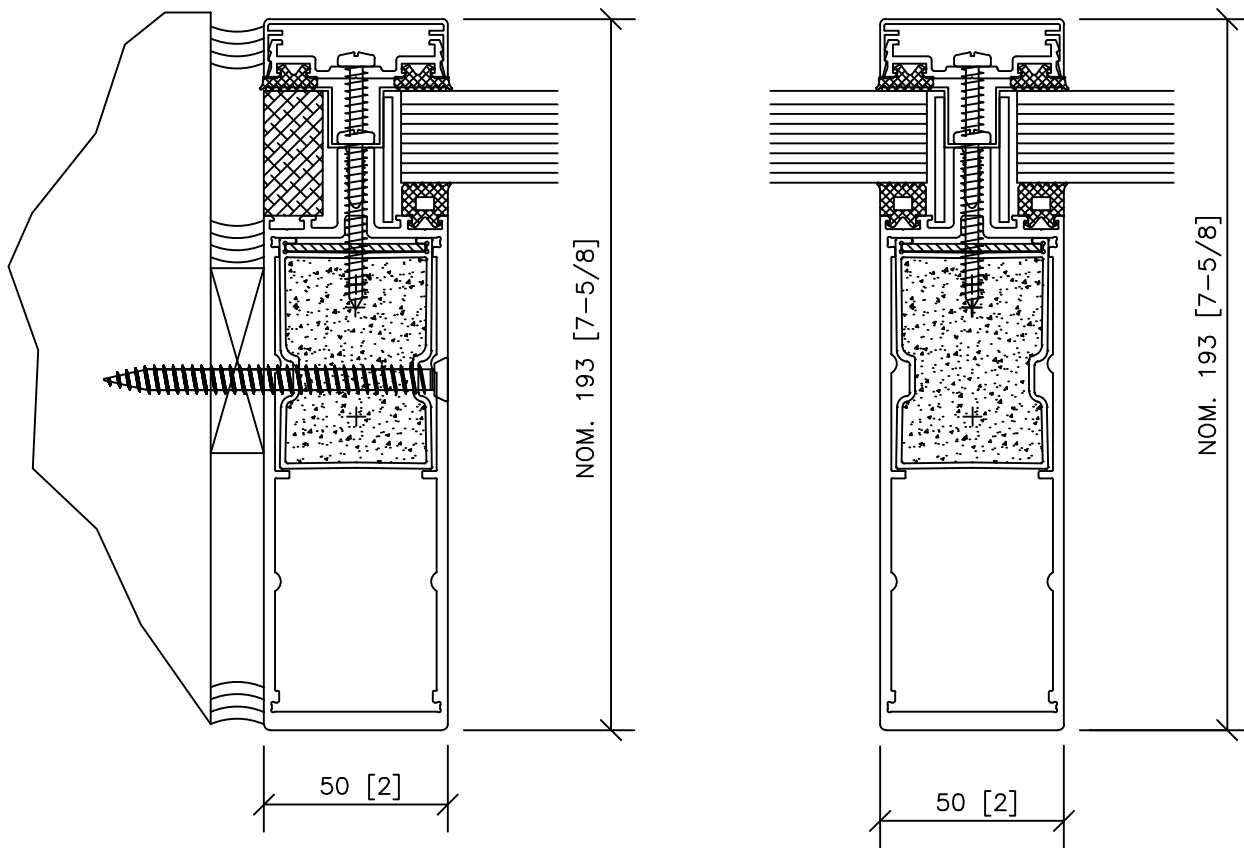
SCALE: 1/2 FULL SIZE

### AVAILABLE DEEPER PROFILE

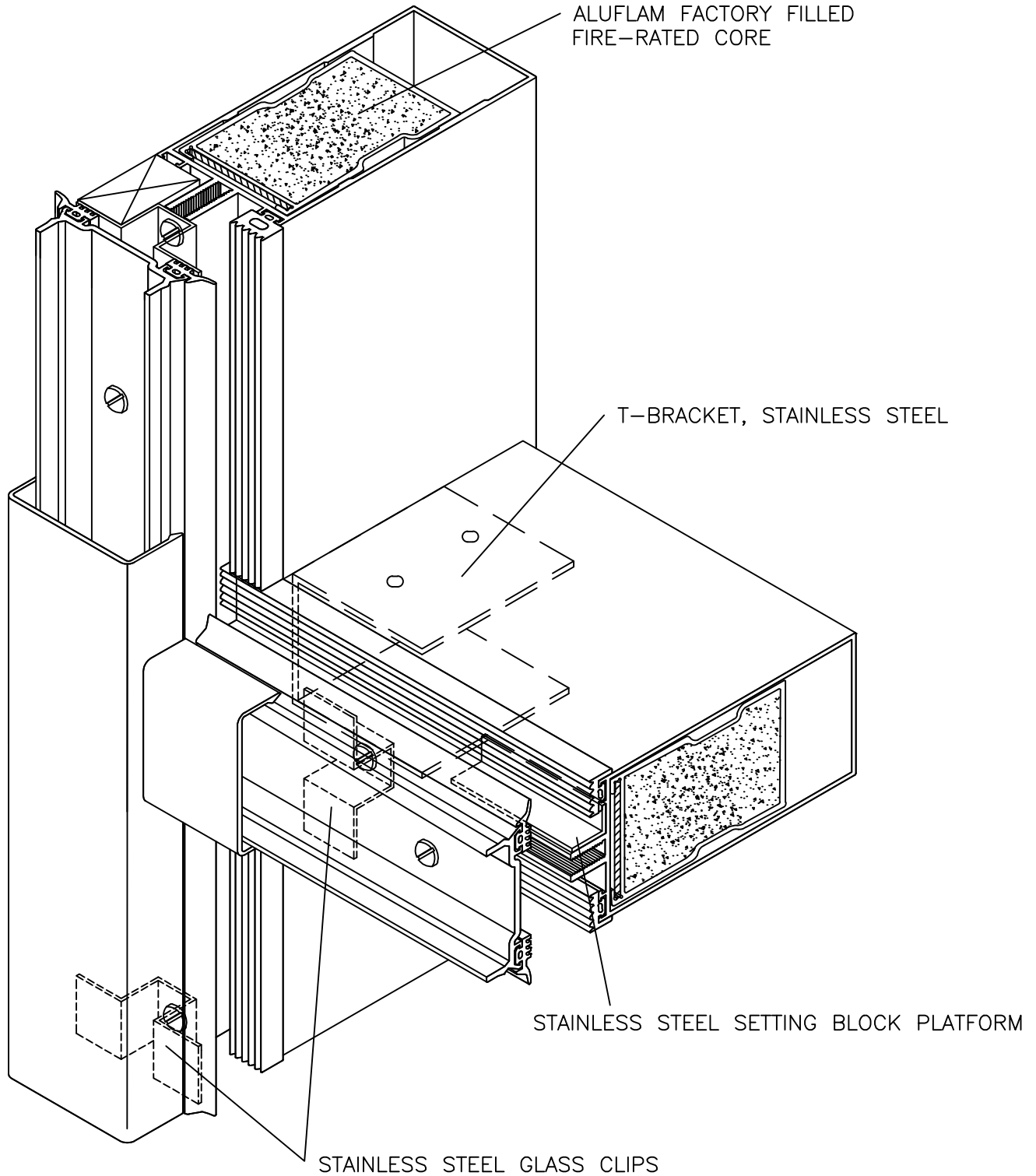


SCALE: 1/2 FULL SIZE

### AVAILABLE DEEPER PROFILE



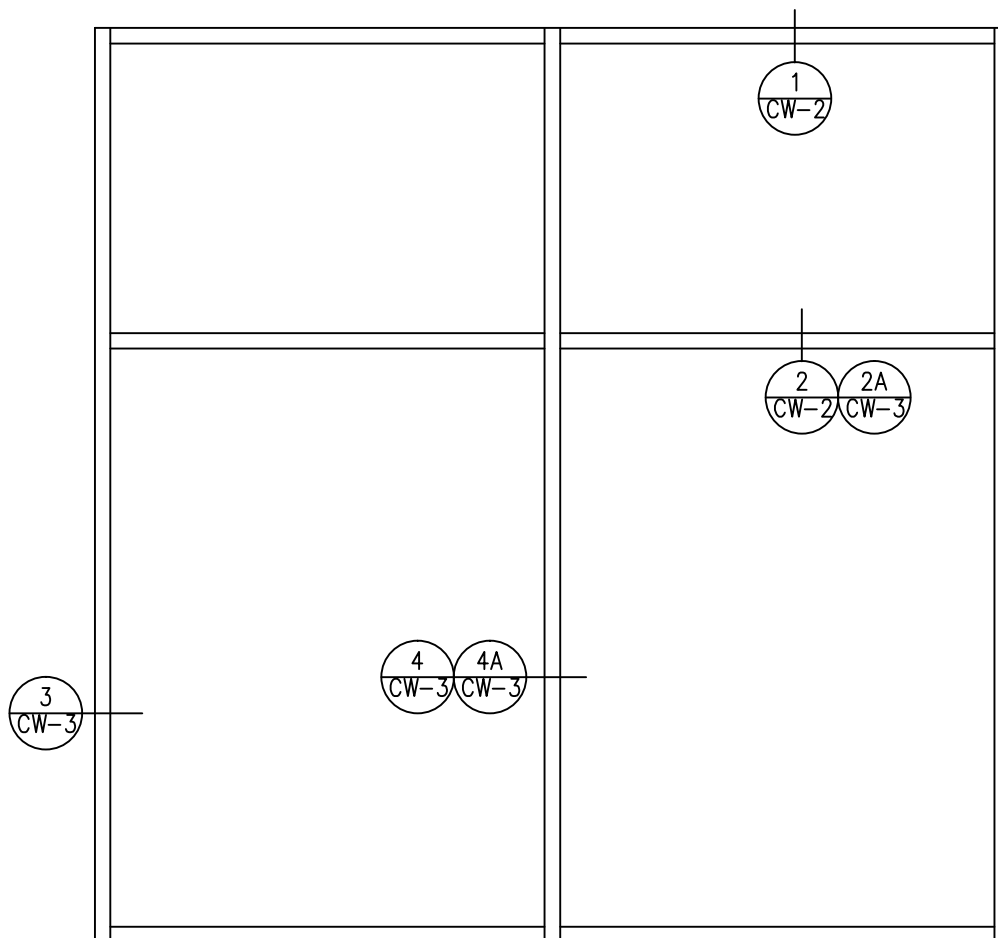
SCALE: NTS





SCALE: NONE

- 2 3/8" x 6-1/4" standard framing members
- Available in Anodized, Powdercoated & Architectural Painted finishes
- Interior and exterior installation
- Delivered fully assembled - or segmented for ease of transport/handling
- 120 minute rated per UL263
- Please refer to literature for max. sizes / ratings
- Also available: 120 min aluminum panel for end of slab conditions, etc.



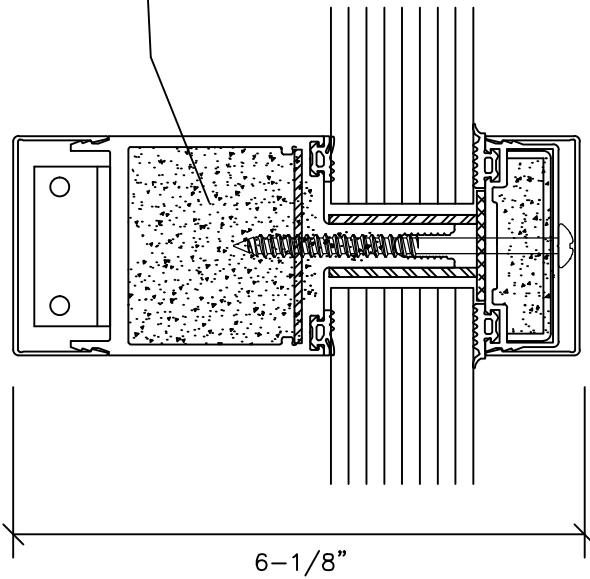


SCALE: 1/2 FULL SIZE

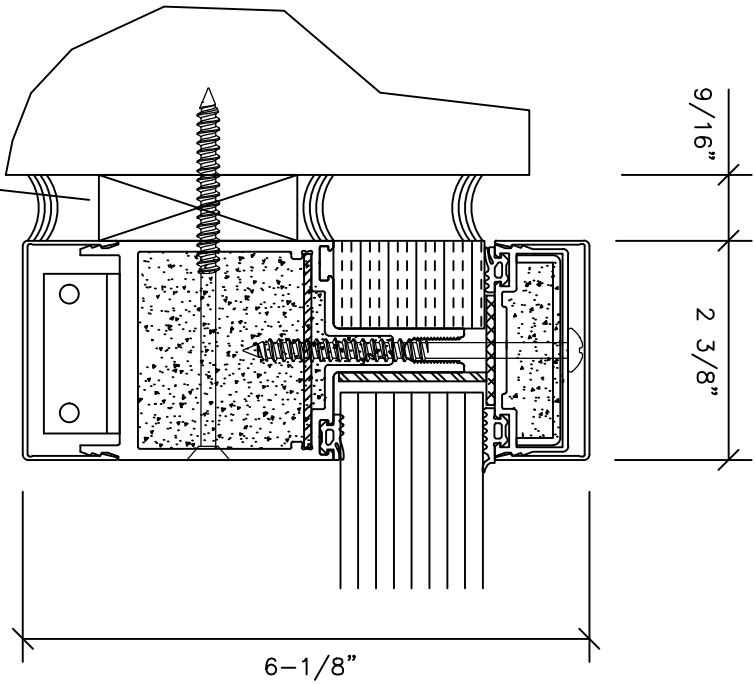
UL LISTED CAULKING  
MINERAL WOOL /

1 HEAD SECTION

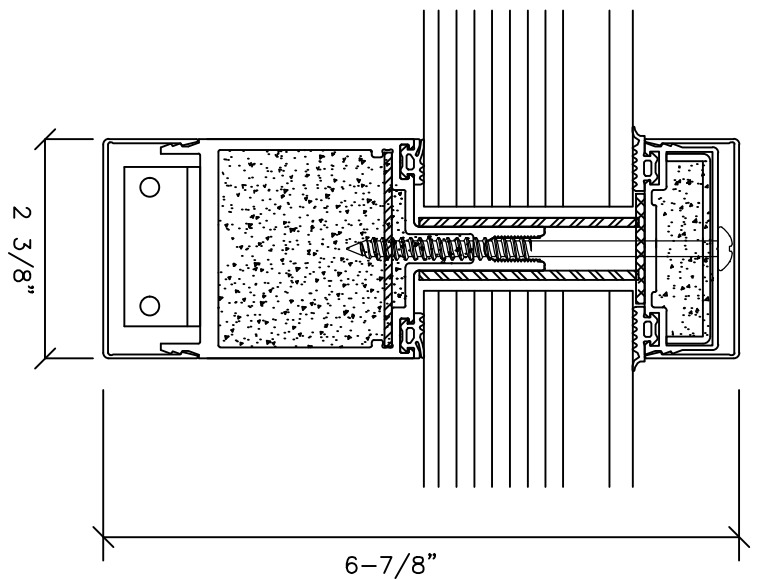
FACTORY FILLED, ALUFLAM  
FIRE-RATED CONCRETE CORE



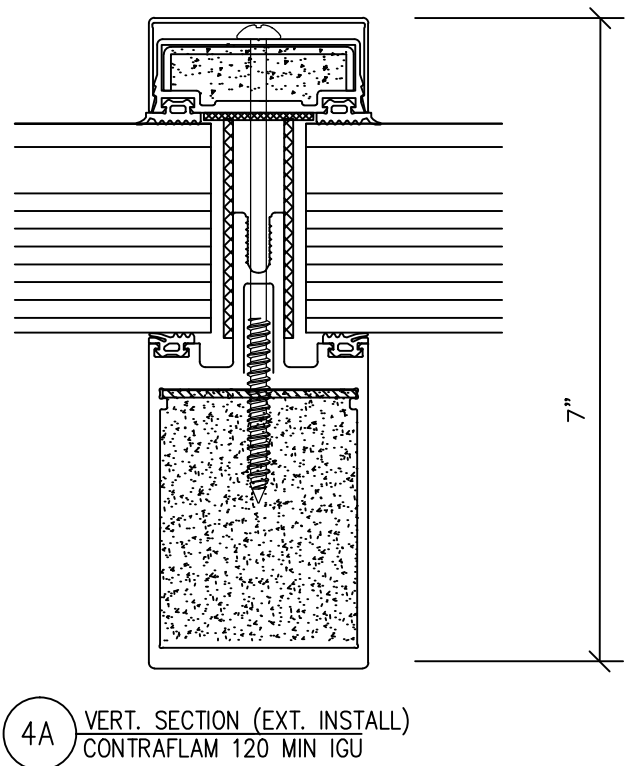
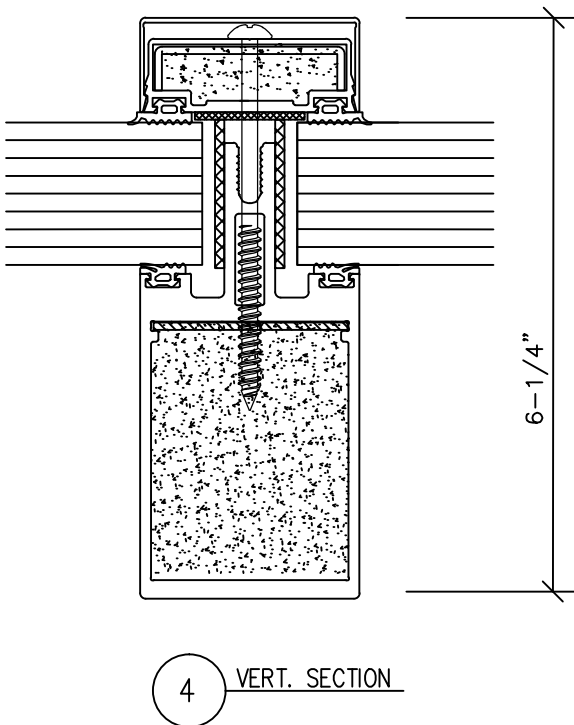
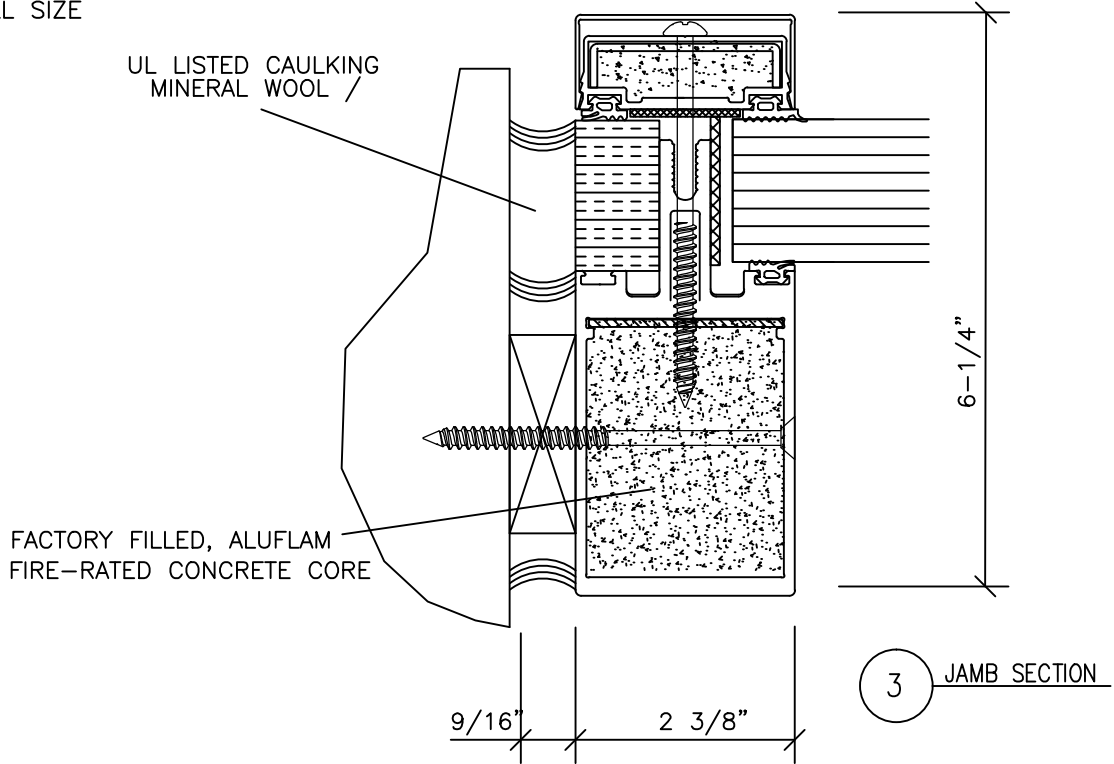
2 HOR. SECTION



2A HOR. SECTION (EXT. INSTALL)  
CONTRAFLAM 120 MIN IGU



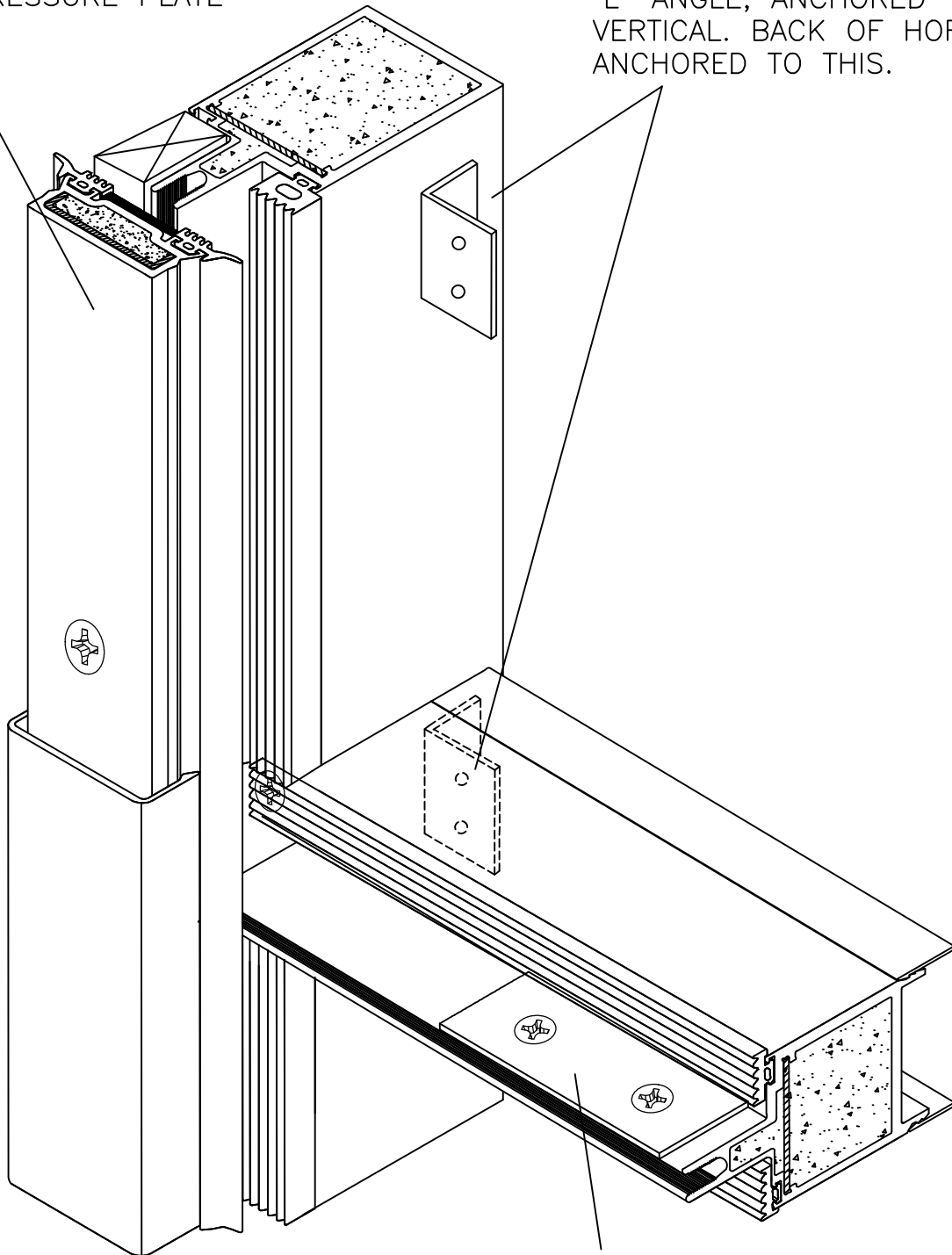
SCALE: 1/2 FULL SIZE





FILLED PRESSURE PLATE

"L" ANGLE, ANCHORED TO  
VERTICAL. BACK OF HORIZONTAL  
ANCHORED TO THIS.



STAINLESS STEEL SETTING BLOCK PLATFORM